

MOX-MOX-ADSL-1413TI SERIES



ADSL LINE TRANSFORMER

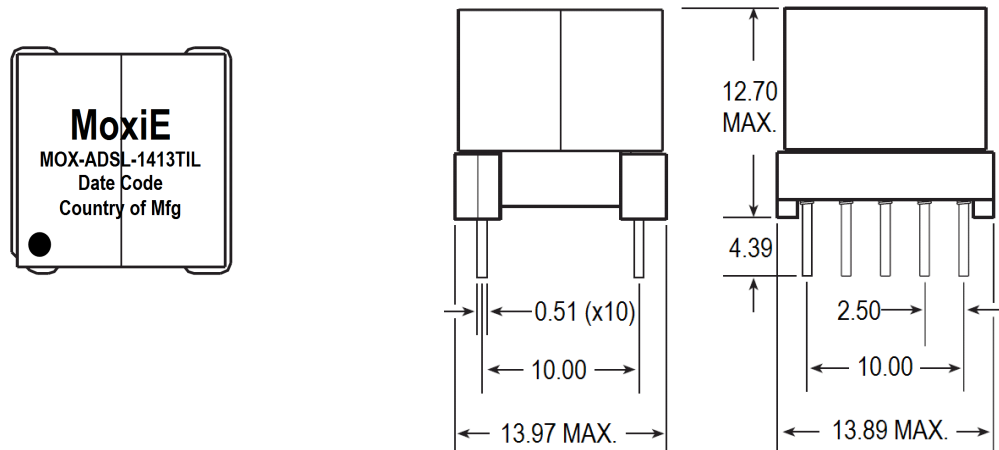
DESIGNED FOR TEXAS INSTRUMENTS' CPE CHIPSETS

- OPERATING TEMPERATURE RANGE: -40°C TO +85°C.
- ADSL/ADSL2+ CPE TRANSFORMER FOR POTS & ISDN APPLICATIONS.
- MATCHED TO TEXAS INSTRUMENTS AR7, AP7 & AU7 CHIPSETS.
- MEETS EN60950 SUPPLEMENTARY INSULATION REQUIREMENTS UP TO 250VRMS.
- MOXIE INDUCTOR CORPORATION CUSTOM DESIGNS AVAILABLE.

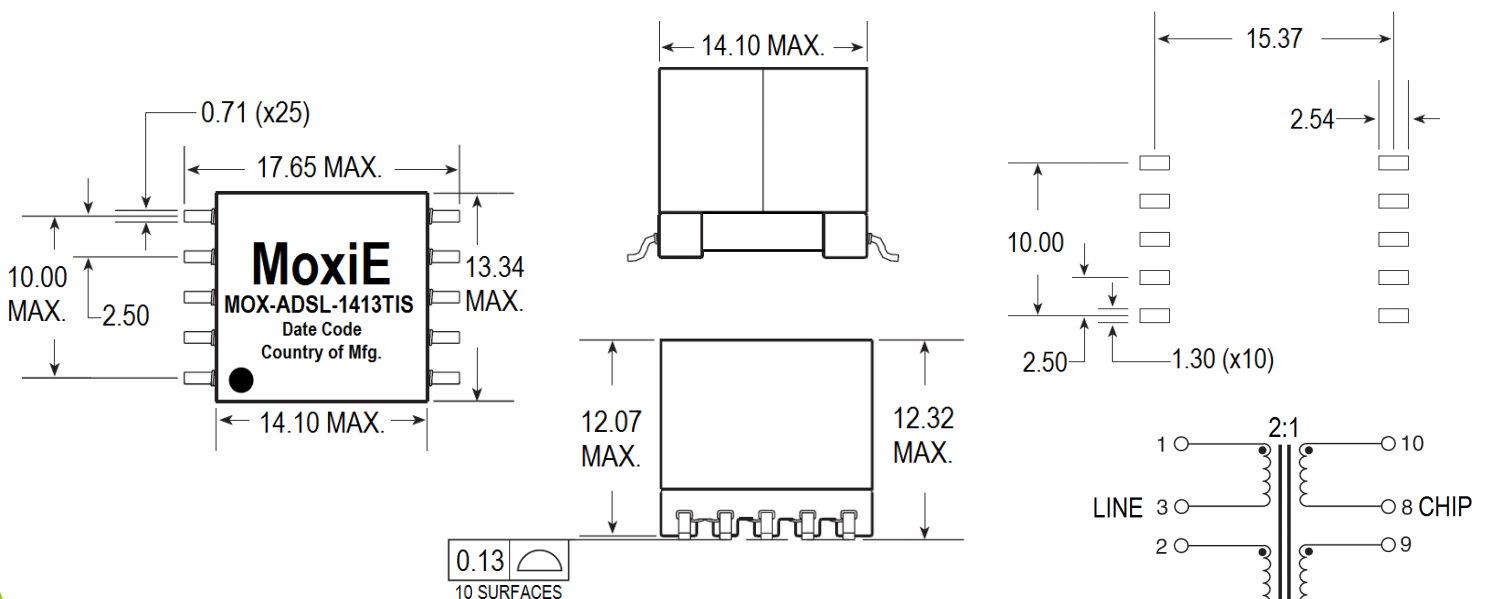


MECHANICAL DIMENSIONS (mm)

MOX-ADSL-1413TIL THRU-HOLE PACKAGE



MOX-ADSL-1413TIS SURFACE MOUNT PACKAGE



MOX-MOX-ADSL-1413TI SERIES

ADSL LINE TRANSFORMER

DESIGNED FOR TEXAS INSTRUMENTS' CPE CHIPSETS



ELECTRICAL SPECIFICATIONS @ 25°C

MoxiE Part Number	OCL (mH $\pm 5\%$)	Turns Ratio (Line:Chip)	Isolation Voltage (V _{RMS})	THD @ 30kHz (dB Minimum)
MOX-ADSL-1413TIL-1	1.50	2:1	1500	-85
MOX-ADSL-1413TIL-2	1.50	2:1	1500	-85
MOX-ADSL-1413TIL-3	0.40	2:1	1500	-80
MOX-ADSL-1413TIL-4	0.40	2:1	1500	-80
MOX-ADSL-1413TIS-1	0.10	2:1	1500	-84



ENGINEERING DATA

- Operating temperature: -40°C to +85°C.
- Storage temperature: -55°C to +125°C.
- RoHS compliant.
- All electrical specifications are at 25°C.
- MoxiE Inductor Corporation specifications are subject to change without notice.
- MoxiE Inductor Corporation custom designed products are subject to United States Copyright and or patent protection(s).