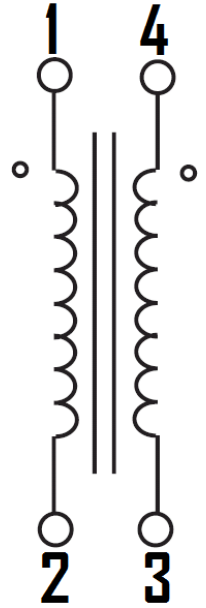
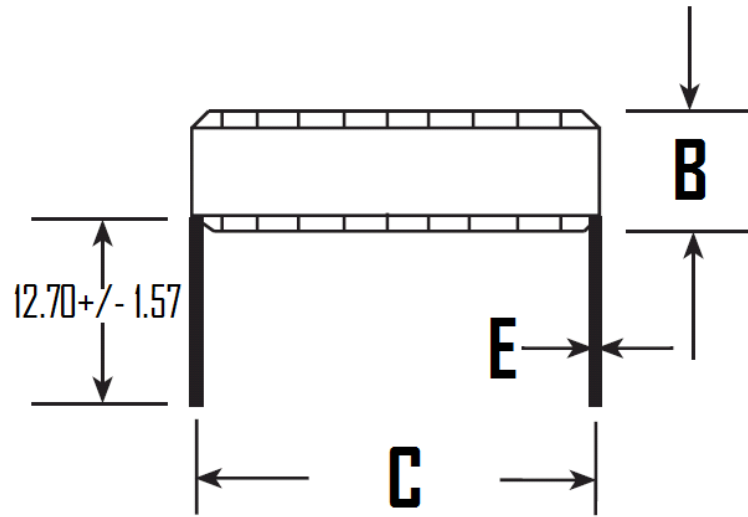
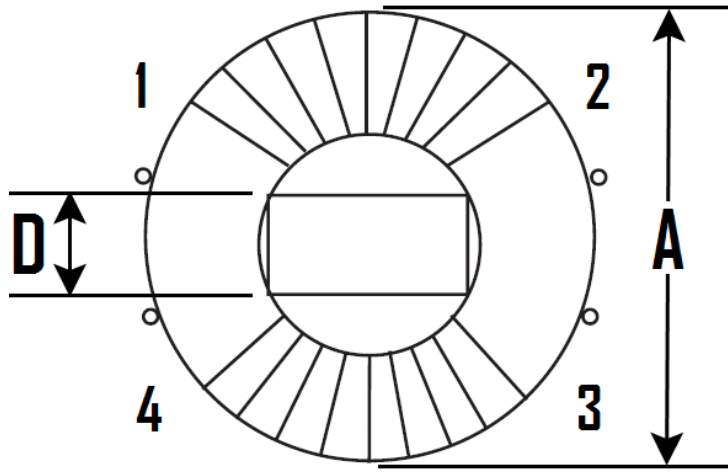


MECHANICAL (mm)



MOXIE NOTES:

INDUCTANCE AND DCR IS FOR EACH SIDE OR A SINGLE WINDING.

RoHS COMPLIANT.

OPERATING TEMPERATURE: -55°C~125°C

STORAGE TEMPERATURE: -55°C~125°C

PACKAGING: BULK

ALL DIMENSIONS ARE IN MM UNLESS OTHERWISE STATED.

MOXIE INDUCTOR CORPORATION SPECIFICATIONS ARE SUBJECT TO CHANGE WITHOUT NOTICE.

MOXIE INDUCTOR CORPORATION CUSTOM DESIGNED PRODUCT IS SUBJECT TO UNITED STATES COPYRIGHT AND OR PATENT PROTECTION(S)

MoxiE
INDUCTOR CORPORATION

(888)535.5207 WWW.MOXIEINDUCTORS.COM

HORIZONTAL MOUNT COMMON MODE CHOKE

MOXIE MOX-HTCM4 SERIES

PAGE 1/2

REV. A

DWG NUMBER: MOXHTCM4

ELECTRICAL @ 25°C

MOXIE PART NUMBER	INDUCTANCE @ 10KHz $\mu\text{H} \pm 30\%$	DCR (Ω) MAX.	CURRENT RATING (AMPS)	LEAKAGE (L) (μH REF.)	INTERWINDING CAPACITANCE (pF REF.)	DIMENSION A (MAX.)	DIMENSION B (MAX.)	DIMENSION C (MAX.)	DIMENSION D (MAX.)	DIMENSION E (MAX.)
MOX-HTCM4-100R	100	.0025	15.0	1.5	4.8	126.42	11.18	20.32	7.62	1.30
MOX-HTCM4-250R	250	.0038	12.0	3.2	8.0	26.42	11.18	20.32	7.62	1.30
MOX-HTCM4-500R	500	.006	10.0	5.8	9.7	26.42	10.80	20.32	7.62	1.14
MOX-HTCM4-750R	750	.013	6.7	8.0	12.0	25.40	10.80	20.32	7.62	0.91
MOX-HTCM4-101R	1000	.018	5.7	11.0	12.0	25.40	10.16	20.32	7.62	0.81
MOX-HTCM4-171R	1700	.060	3.1	22.0	11.0	24.13	9.40	20.32	7.62	.051
MOX-HTCM4-251R	2500	.073	2.8	29.0	15.0	24.13	9.40	20.32	7.62	0.51
MOX-HTCM4-331R	3300	.125	2.2	38.0	15.0	24.13	9.40	20.32	7.62	0.41
MOX-HTCM4-501R	5000	.150	2.0	48.0	17.0	24.13	9.40	20.32	7.62	0.41
MOX-HTCM4-751R	7500	.300	1.4	80.0	20.0	24.13	9.40	20.32	7.62	0.33
MOX-HTCM4-102R	10000	.390	1.2	95.0	20.0	23.75	9.40	20.32	7.62	0.28

MOXIE NOTES:

INDUCTANCE AND DCR IS FOR EACH SIDE OR A SINGLE WINDING.

RoHS COMPLIANT.

OPERATING TEMPERATURE: -55°C ~125°C

STORAGE TEMPERATURE: -55°C ~125°C

PACKAGING: BULK

ALL DIMENSIONS ARE IN MM UNLESS OTHERWISE STATED.

MOXIE INDUCTOR CORPORATION SPECIFICATIONS ARE SUBJECT TO CHANGE WITHOUT NOTICE.

MOXIE INDUCTOR CORPORATION CUSTOM DESIGNED PRODUCT IS SUBJECT TO UNITED STATES COPYRIGHT AND OR PATENT PROTECTION(S)

MoxiE
INDUCTOR CORPORATION

(888)535.5207 WWW.MOXIEINDUCTORS.COM

HORIZONTAL MOUNT COMMON MODE CHOKE

MOXIE MOX-HTCM4 SERIES

PAGE 2/2

REV. A

DWG NUMBER: MOXHTCM4