

# MOX-CSA SERIES

## CURRENT SENSING TRANSFORMERS

MoxiE's MOX-CSA series of low profile current sensors are engineered for precise current sensing and offer a robust industrial grade package design.

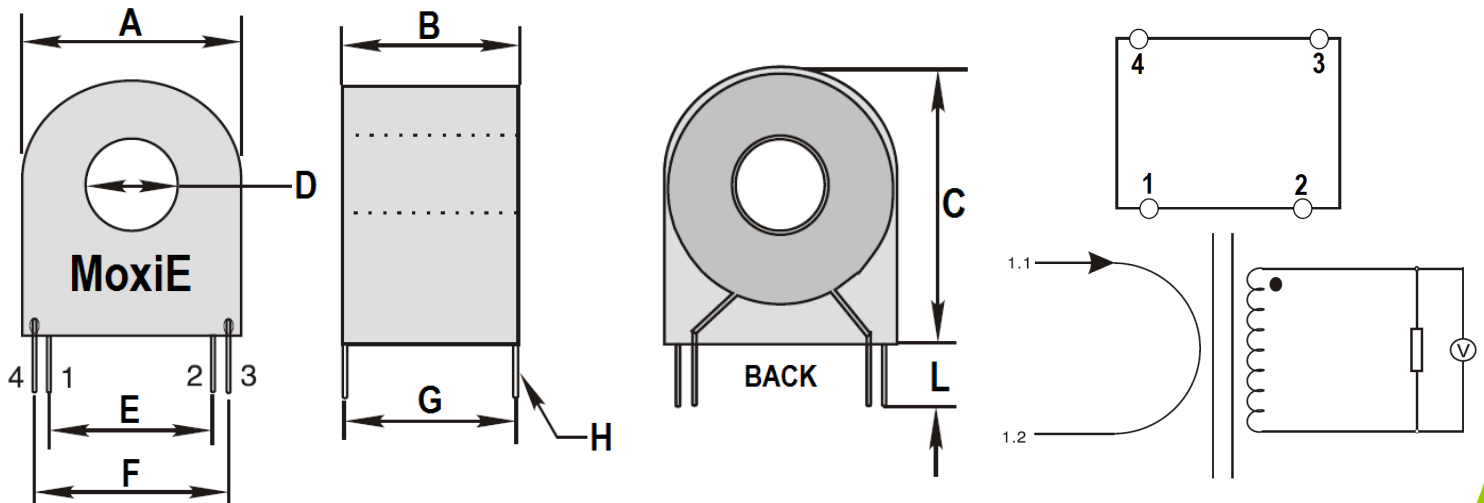
### Features:

- Low cost.
- Meets UL94-V0 requirements. (Industrial PBT 940V0 case)
- Operating temperature: -25° to 85°C.
- Storage temperature: -40° to 105°C.
- RoHS compliant.
- MoxiE custom designs available.



## MECHANICAL DIMENSIONS

MOXIE PART NUMBER	A	B	C	D	E	F	G	H	L
MOX-CSA-10	23.50	12.50	25.00	7.00	15.00	18.50	10.50	1.00	6.00
MOX-CSA-11	26.00	17.00	29.00	9.00	15.00	18.50	15.00	1.00	6.00
MOX-CSA-12	37.00	14.00	39.00	13.00	25.00	32.50	11.00	1.00	6.00
MOX-CSA-13	49.00	20.00	54.00	18.50	29.50	37.00	17.50	1.00	6.00



# MOX-CSA SERIES

CURRENT SENSING TRANSFORMERS



## MOX-CSA ELECTRICAL SPECIFICATIONS

MoxiE Part Number	Rated Primary Current (A)	Maximum Primary Current (A)	Rated Secondary Current (A)	Current Ratio	Output Ratio (V)	Accuracy Class
MOX-CSA-10A-5/2.5	5	40	2.50	2000:1	100	0.2, 0.5
MOX-CSA-10A-10/4	10	40	4	2500:1	100	0.2, 0.5
MOX-CSA-10A-20/10	20	40	10	2500:1	100	0.1, 0.2, 0.5
MOX-CSA-11A-10/4	10	60	4	2000:1	100	0.1, 0.2, 0.5
MOX-CSA-11A-20/10	20	60	10	2000:1	100	0.1, 0.2, 0.5
MOX-CSA-11A-40/20	40	60	20	2000:1	100	0.1, 0.2, 0.5
MOX-CSA-12A-60/24	60	120	24	2500:1	100	0.1, 0.2, 0.5
MOX-CSA-12A-80/32	80	120	32	2500:1	100	0.1, 0.2, 0.5
MOX-CSA-12A-120/48	120	120	48	2500:1	100	0.1, 0.2, 0.5
MOX-CSA-13A-100/40	100	200	40	2500:1	100	0.1, 0.2, 0.5
MOX-CSA-13A-100/50	100	200	50	2000:1	100	0.1, 0.2, 0.5
MOX-CSA-13A-200/80	200	200	80	2500:1	100	0.1, 0.2, 0.5
MoxiE Part Number	Rated Primary Current (A)	Maximum Primary Current (A)	Rated Secondary Current (A)	Resistance Load ( $\Omega$ )	Output Ratio (V)	Accuracy Class
MOX-CSA-10B-5/5	5	60	5	100	0.5	0.5, 1.0
MOX-CSA-10B-10/10	10	60	10	100	1.0	0.5, 1.0
MOX-CSA-10B-15/15	15	60	15	100	1.5	0.5, 1.0
MOX-CSA-11B-20/20	20	60	20	100	2.0	0.5, 1.0
MOX-CSA-11B-25/25	25	75	25	100	2.5	0.5, 1.0
MOX-CSA-11B-30/30	30	75	30	100	3.0	0.5, 1.0
MOX-CSA-12B-40/40	40	75	40	100	4.0	0.5, 1.0
MOX-CSA-12B-50/50	50	125	50	100	5.0	0.5, 1.0
MOX-CSA-12B-60/60	60	125	60	100	6.0	0.5, 1.0
MOX-CSA-13B-75/75	75	125	75	100	7.5	0.5, 1.0
MOX-CSA-13B-100/100	100	250	100	100	10.0	0.5, 1.0
MOX-CSA-13B-150/150	150	250	150	100	15.0	0.5, 1.0

# MOX-CSA SERIES

CURRENT SENSING TRANSFORMERS



## ENGINEERING DATA

- WORKING FREQUENCY RANGE: 20Hz ~ 400Hz.
- INSULATION RESISTANCE: 500 VDC>100MΩ.
- HI-POT: 4000V 1mA 60S.
- TEMPERATURE RANGE: -25°C TO + 85°C
- RESISTANCE TO SOLDERING HEAT: 260°C FOR TEN (10) SECONDS.
- MOXIE MARKING: PART NUMBER & DATE CODE.
- ALL SECONDARY MEASUREMENTS ARE IN PINS 1-3.
- MOXIE SPECIFICATIONS ARE SUBJECT TO CHANGE WITHOUT NOTICE.
- PACKAGING: BULK IS STANDARD.
- MOXIE INDUCTOR CORPORATION CUSTOM PRODUCT(S) ARE SUBJECT TO UNITED