

# MOX-LAN-QP4B-5000

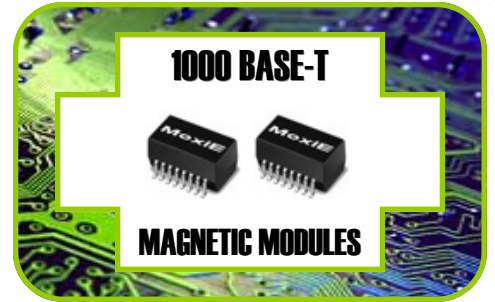


## SURFACE MOUNT 1000 BASE-T MAGNETIC MODULES

MoxiE's LAN-QP4B-5000 series of surface mount magnetic modules are designed to support 1:1 turns ratio transceivers.

### FEATURES:

- Low cost.
- RoHS NL peak solder rating of 235°C.
- 5008 series designed to fit behind 1x1 RJ45 connector.
- Meets IEEE 802.3 & ANSI X3.263 standards.
- Wide range of package types to accommodate various designs.
- MoxiE Inductor Corporation custom designs available.



## NOTES

---

---

---

---

---

---

---

---

---

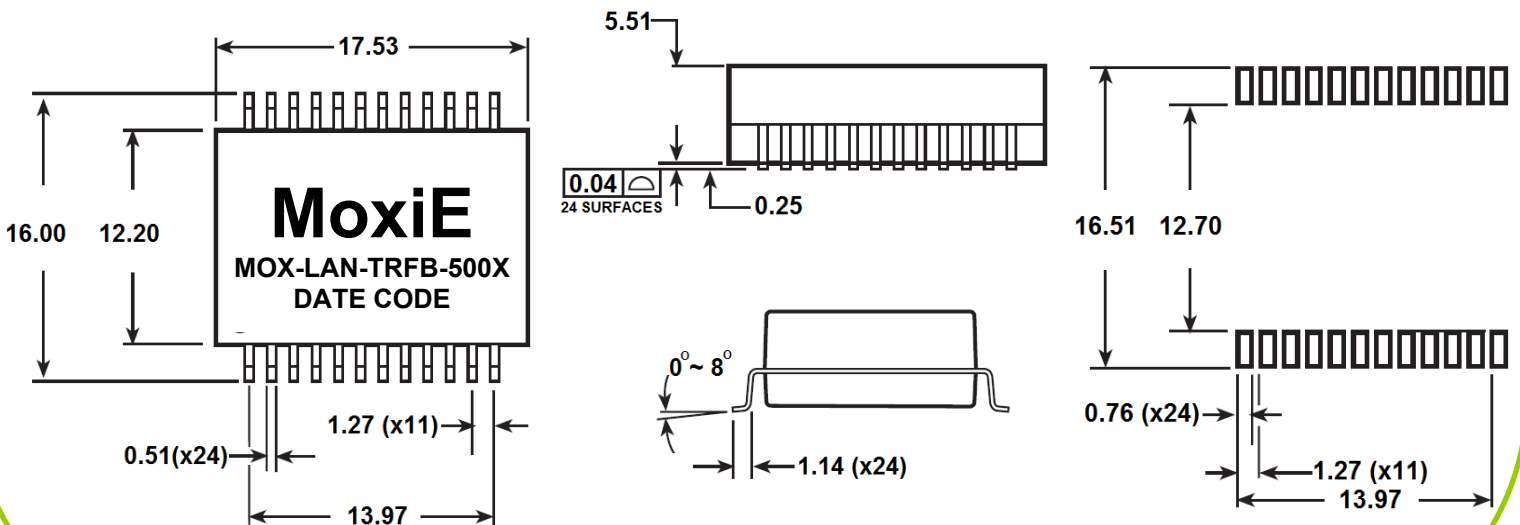
---

---

---

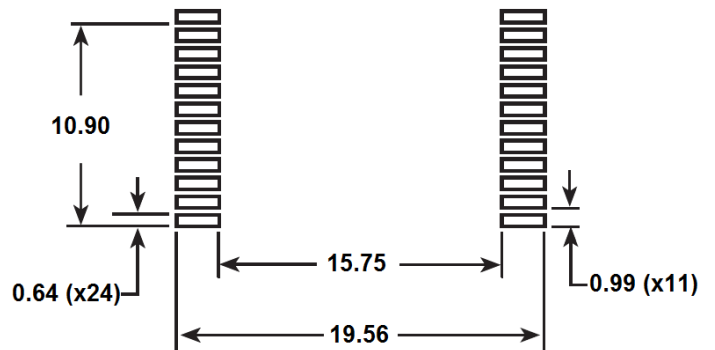
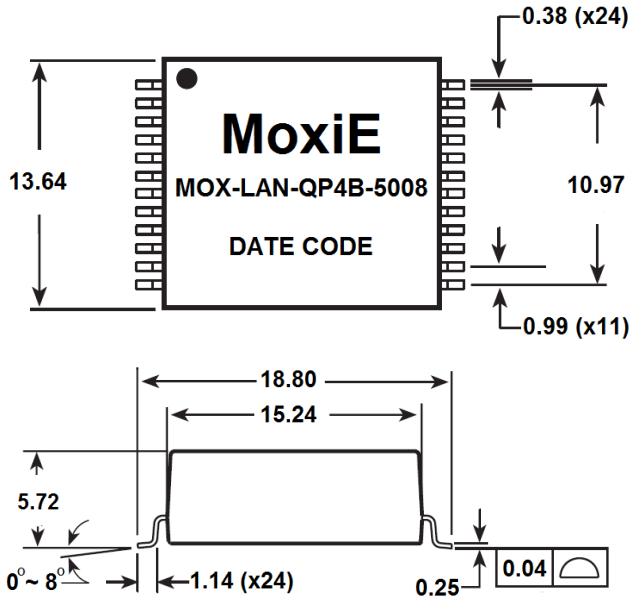


## MOX-TRFB-5004 & MOX-TRFB-5007

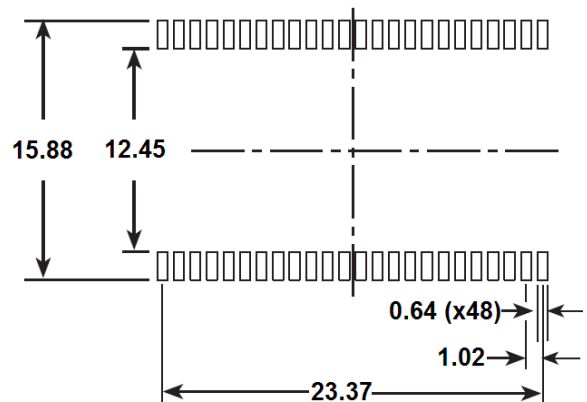
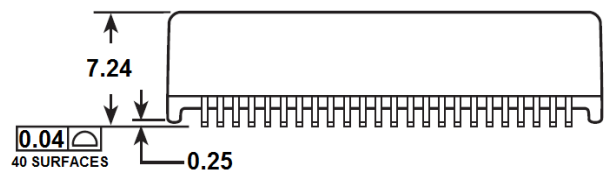
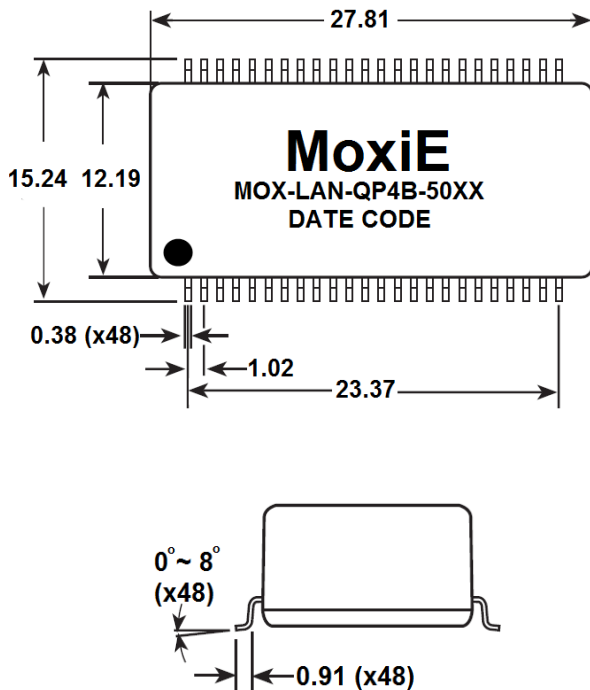




## MOX-TRFB-5008



## MOX-TRFB-5012 & 5014





## ELECTRICAL SPECIFICATIONS @ 25°C

MoxiE Part Number	Insertion Loss	Return Loss (dB Min @ 100Ω)					Differential to Common Mode Rejection (dB Typ)			Crosstalk (dB Typ)			HiPot
	1-100 MHz (dB Max.)	1-30 MHz	40 MHz	50 MHz	60-80 MHz	100 MHz	30 MHz	60 MHz	100 MHz	30 MHz	60 MHz	100 MHz	Vrms Min.
MOX-LAN-QP4B-5004	1.0	-18	-18	-16	-12	-10	-43	-37	-33	-45	-40	-35	1500
MOX-LAN-QP4B-5007	1.0	-18	-18	-16	-12	-10	-43	-37	-33	-45	-40	-35	1500

MoxiE Part Number	Number of Ports	Insertion Loss	Return Loss (dB Min @ 100Ω)					Differential to Common Mode Rejection (dB Typ)			Crosstalk (dB Typ)			HiPot
		1-100 MHz (dB Max.)	1-30 MHz	40 MHz	50 MHz	60-80 MHz	100 MHz	30 MHz	60 MHz	100 MHz	30 MHz	60 MHz	100 MHz	Vrms Min.
MOX-LAN-QP4B-5008	1	1.0	-18	-18	-16	-12	-10	-43	-37	-33	-45	-40	-33	1500
MOX-LAN-QP4B-5012	2	1.4	-16	-14.4	-13.1	-12	-10	-45	-40	-35	-43.5	-37.5	-33	1500
MOX-LAN-QP4B-5014	2	1.4	-16	-14.4	-13.1	-12	-10	-45	-40	-35	-43.5	-37.5	-33	1500



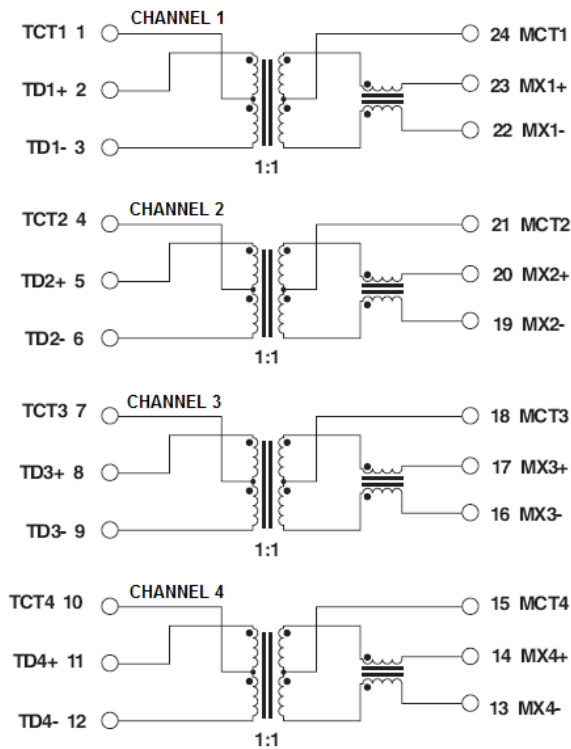
## ENGINEERING NOTES

- Operating temperature -20°C to +70°C.
- MSL = Moisture Sensitivity Level a=1 b=2 c=3 d=4
- Meets RoHS-6 peak reflow rating of 245°C.
- RoHS-6 Compliant: MoxiE Product does not contain 5 out of the 6 banned substances specified in the RoHS directive.
- Some internal connections may contain lead in high-temperature solder (solder alloys containing more than 85% lead).
- Packaging: Tube or tape & reel.
- MoxiE Inductor Corporation specifications are subject to change without notice.
- MoxiE Inductor Corporation LAN-QP4B transformers are UL certified.

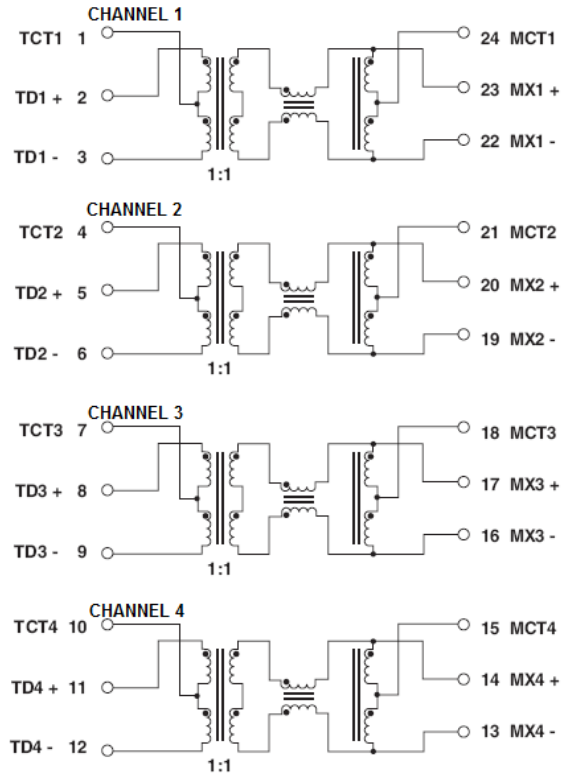


## SCHEMATICS

### MOX-LAN-QP4B-5004



### MOX-LAN-QP4B-5007 & 5008



### MOX-LAN-QP4B-5012 & 5014

