

# MOX-LAN-QP4B-8800

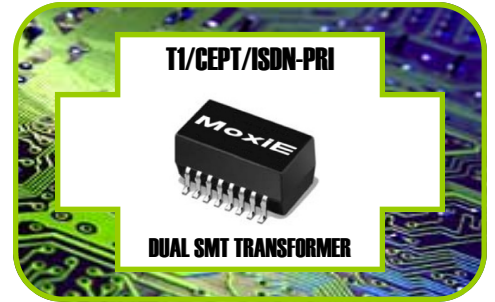


## SURFACE MOUNT T1/CEPT/ISDN-PRI TRANSFORMERS

MoxiE's LAN-QP4B-8800 series of surface mount T1/CEPT/ISDN-Pri transformers are designed with a compact footprint and a low profile.

### FEATURES:

- Low cost.
- Dual SMT package contains both transmit & receive transformers.
- Designed to match leading transceiver IC's.
- RoHS compliant.
- Wide range of turns ratios to accommodate various designs.
- MoxiE Inductor Corporation custom designs available.



## NOTES

---

---

---

---

---

---

---

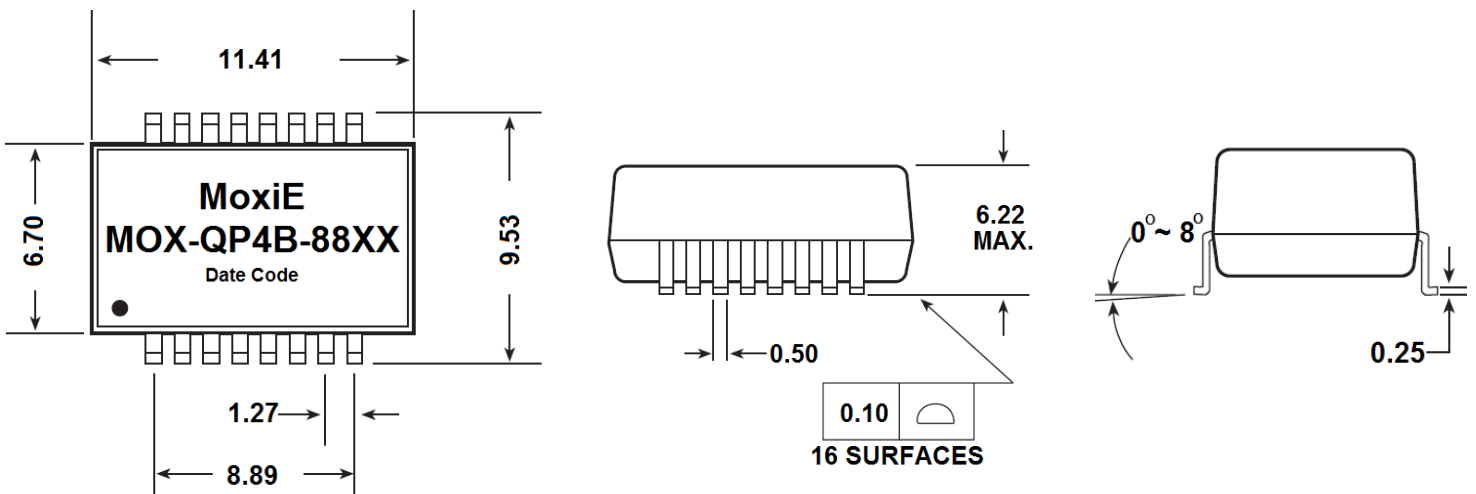
---

---

---

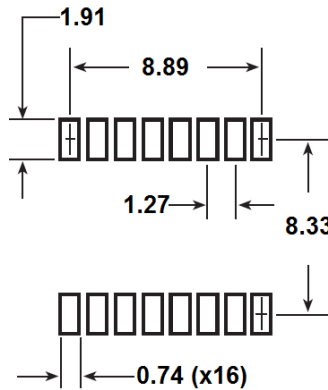


## MECHANICAL DIMENSIONS





## LANDING PATTERN

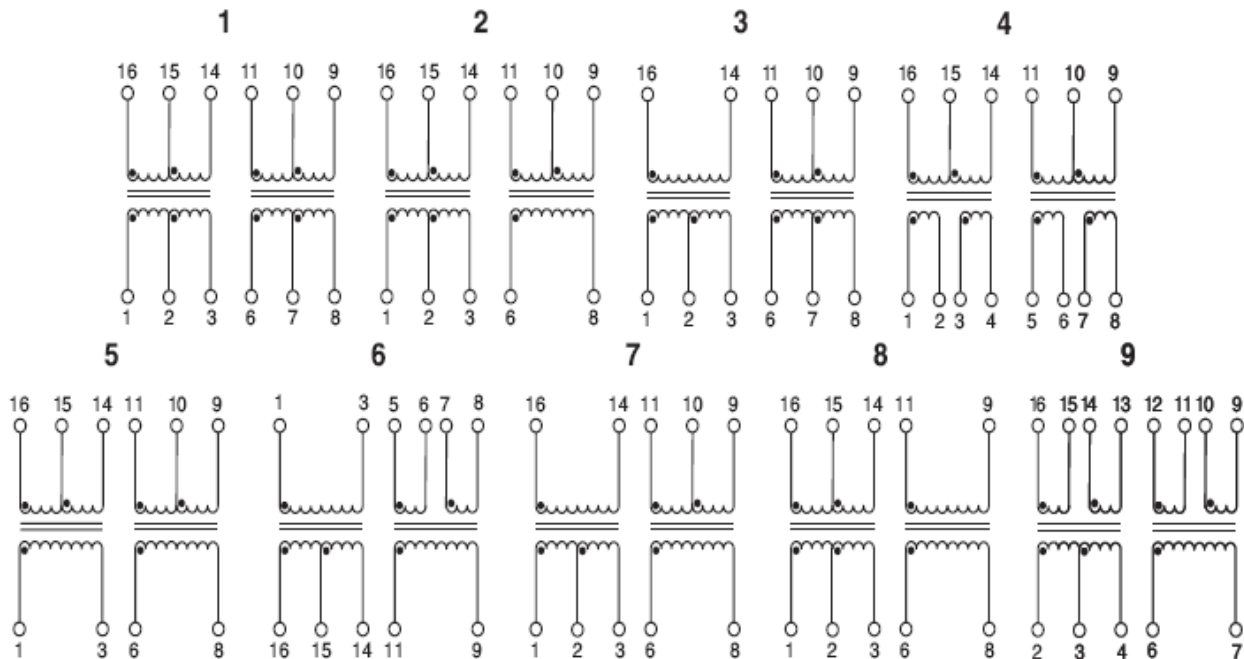


## ELECTRICAL SPECIFICATIONS @ 25°C

MoxiE -20°+70°C Temperature Part Number	MoxiE -40°+85°C Temperature Part Number	Turns Ratio (Pri:Sec ±5%)	OCL (mH Minimum)	CW/W (pF Maximum)	LL (µH Maximum)	DCR Pri (Ω Maximum)	Primary Pins	Schematic
MOX-LAN-QP4B-8861	MOX-LAN-QP4B-8890E	1 CT:2CT & 1 CT:2CT	1.20 & 1.20	30 & 30	.60 & .60	0.70 & 0.70	16-14, 6-8	1
MOX-LAN-QP4B-8862	MOX-LAN-QP4B-8891E	1 CT:2CT & 1:1.36CT	1.20 & 1.20	30 & 30	.60 & .60	0.70 & 0.70	16-14, 6-8	2
MOX-LAN-QP4B-8865	MOX-LAN-QP4B-8876E	1:1.15CT & 1 CT:2CT	1.20 & 1.20	30 & 30	.60 & .60	0.70 & 0.70	16-14, 6-8	3
MOX-LAN-QP4B-8866	MOX-LAN-QP4B-8892E	1:1/1.26 & 1 CT:2CT	1.20 & 1.20	30 & 30	.60 & .60	0.70 & 0.70	16-14, 6-8	3
MOX-LAN-QP4B-8870	MOX-LAN-QP4B-8893E	1 CT:1.15CT & 1 CT:1.15CT	1.20 & 1.20	30 & 30	.60 & .60	0.70 & 0.70	1-3, 6-8	1
MOX-LAN-QP4B-8822	MOX-LAN-QP4B-8877E	1 CT:1 CT & 1 CT:1.5CT	1.20 & 1.20	30 & 30	.80 & .80	0.70 & 0.70	16-14, 6-8	1
MOX-LAN-QP4B-8878	MOX-LAN-QP4B-8894E	1 CT:1 CT & 1 CT:2CT	1.20 & 1.20	30 & 30	.60 & .60	0.70 & 0.70	16-14, 6-8	1
MOX-LAN-QP4B-8876	MOX-LAN-QP4B-8895E	1 CT:1.41 CT & 1 CT:1.41 CT	1.00 & 1.00	30 & 30	.60 & .60	0.70 & 0.70	16-14, 11-9	1
MOX-LAN-QP4B-8823	MOX-LAN-QP4B-8896E	1 CT:1.41 CT & 1 CT:1.41 CT	1.00 & 1.00	30 & 30	.60 & .60	0.70 & 0.70	1-3, 11-9	1
—	MOX-LAN-QP4B-8844E	1 CT:1 CT & 1 CT:2.4CT	1.00 & 1.00	30 & 30	.80 & .80	0.85 & 0.85	9-11, 1-3	1
—	MOX-LAN-QP4B-8897E	1 CT:1 CT & 1 CT:1.67CT	1.00 & 1.00	25 & 25	.80 & .80	0.80 & 0.80	6-8, 14-16	1
MOX-LAN-QP4B-8836	—	1 CT:1 CT & 1 CT:1.36CT	1.20 & 1.20	30 & 30	.60 & .60	0.70 & 0.70	6-8, 1-3	1
MOX-LAN-QP4B-8821	—	1 CT:1.5CT & 1 CT:1.5CT	1.50 & 1.50	40 & 40	.80 & .80	0.70 & 0.70	1-3, 6-8	1
MOX-LAN-QP4B-8822	—	1 CT:2CT & 1 CT:2.3CT	1.20 & 1.20	30 & 30	.80 & .80	0.90 & 0.90	6-8, 14-16	1
MOX-LAN-QP4B-8823	—	2CT:1/1.26 & 2CT:1/1.26	1.50 & 1.50	40 & 40	.50 & .50	0.70 & 0.70	1-3, 11-9	1
MOX-LAN-QP4B-8875	—	2CS:1.57/2 & 2CS:1.57/2	1.50 & 1.50	40 & 40	.50 & .50	0.70 & 0.70	1-2, 5-6	4
MOX-LAN-QP4B-8890	—	1 CT:1 CT & 1 CT:1.36CT	1.20 & 1.20	30 & 30	.60 & .60	0.70 & 0.70	16-14, 6-8	1
MOX-LAN-QP4B-8837	MOX-LAN-QP4B-8887E	1 CT:2.42CT & 1 CT:2.42CT	1.20 & 1.20	25 & 25	.60 & .60	0.70 & 0.70	1-3, 6-8	1
—	MOX-LAN-QP4B-8846E	1:2/2.4 & 1:0.79/1	1.00 & 1.00	35 & 35	1.00 & 1.00	0.80 & 0.80	1-3, 6-8	1
MOX-LAN-QP4B-8886	—	1 CT:2.4CT & 1 CT:2.4CT	1.20 & 1.20	15 & 15	.30 & .30	0.30 & 0.30	1-3, 6-8	5
—	MOX-LAN-QP4B-8817E	1:2CT & 1:2CS	1.20 & 1.20	35 & 35	.50 & 1.00	1.00 & 1.00	1-3, 11-9	1
—	MOX-LAN-QP4B-8889E	1:1.36CT & 1:2CT	1.20 & 1.20	30 & 30	.60 & .60	1.00 & 1.00	16-14, 6-8	6
—	MOX-LAN-QP4B-8808E	1 CT:2CT & 1 CT:2CT	1.20 & 1.20	30 & 30	.60 & .60	0.70 & 0.70	1-3, 6-8	7
—	MOX-LAN-QP4B-8807E	1 CT:2CT & 1:1	1.20 & 1.20	30 & 30	.60 & .60	0.70 & 0.70	1-3, 6-8	1
—	MOX-LAN-QP4B-8806E	1 CT:2CT & 1 CT:2.42CT	1.20 & 1.20	35 & 35	.80 & .80	1.00 & 1.00	1-3, 6-8	8
—	MOX-LAN-QP4B-8805E	1 CT:1 CT & 1 CT:1 CT	1.20 & 1.20	30 & 30	.80 & .80	0.70 & 0.70	1-3, 6-8	1
—	MOX-LAN-QP4B-8804E	1 CT:1.26CT & 1 CT:1.26CT	1.20 & 1.20	30 & 30	.60 & .60	0.70 & 0.70	1-3, 6-8	1
—	MOX-LAN-QP4B-8803E	1 CT:1:0.8 & 1 CT:1:0.8	1.20 & 1.20	30 & 30	.80 & .80	1.00 & 1.00	16-14, 11-9	4
—	MOX-LAN-QP4B-8802E	1 CT:1.58:2 & 1:1.65:2	1.20 & 1.20	30 & 30	.80 & .80	1.00 & 1.00	2-4, 6-7	9
—	MOX-LAN-QP4B-8801E	1 CT:1:1 & 1 CT:1:1	1.20 & 1.20	30 & 30	.80 & .80	1.00 & 1.00	16-14, 11-9	4



## SCHEMATICS



### MoxiE Notes:

- MSL = Moisture Sensitivity Level a=1 b=2 c=3 d=4
- Meets RoHS-6 peak reflow rating of 245°C.
- RoHS-6 Compliant: MoxiE Product does not contain 5 out of the 6 banned substances specified in the RoHS directive.
- Some internal connections may contain lead in high-temperature solder (solder alloys containing more than 85% lead).
- Packaging: Tube.
- Standard operating temperature: -20° to +70°C.
- Extended operating temperature: -40° to +85°C.
- Models are available with unused leads available upon request.
- MoxiE Inductor Corporation specifications are subject to change without notice.
- MoxiE Inductor Corporation custom products are subject to United States Copyright and or Patent protection(s).