

MOX-LAN-SP4B-1100

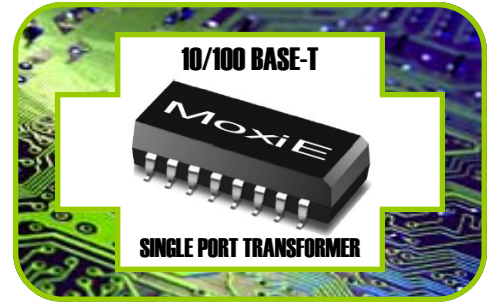
MoxiE[®]
INDUCTOR CORPORATION

SURFACE MOUNT 10/100 BASE-T SINGLE PORT TRANSFORMER

MoxiE's LAN-SP4B-1100 series of surface mount single port transformers are designed with a compact footprint and a low profile.

FEATURES:

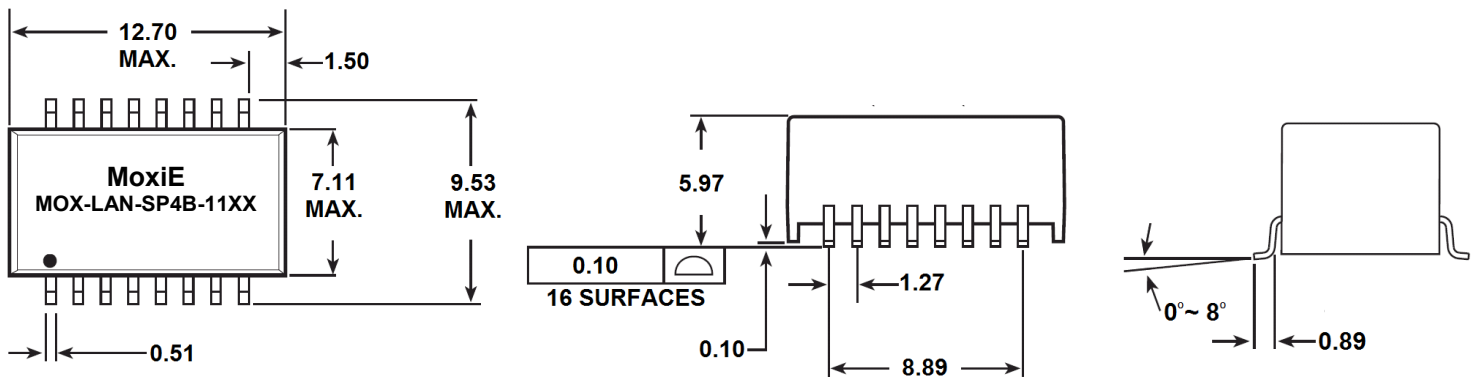
- Low cost.
- Meets IEEE 802.3 & ANSI X3.263 standards.
- 350 μ H OCL with 8mA bias.
- RoHS compliant.
- Wide range of turns ratios to accommodate various designs.
- MoxiE Inductor Corporation custom designs available.



NOTES



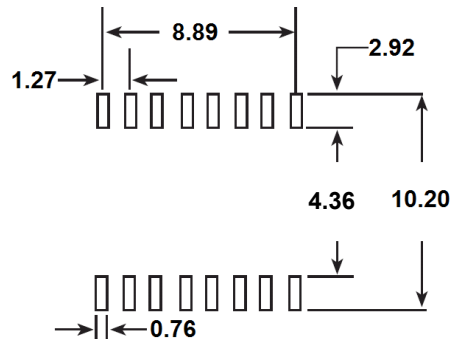
MECHANICAL DIMENSIONS



REVISION B



LANDING PATTERN



ELECTRICAL SPECIFICATIONS

MoxiE Part Number	Turns	Ratio	Insertion Loss			Return Loss (dB Typ)			Differential to Common Mode Rejection (dB Typ)			Crosstalk (dB Typ)			HiPot
			100KHz~100MHz (dB Maximum)	30 MHz	60MHz	80MHz	30MHz	50MHz	100MHz	30MHz	60MHz	100MHz	VRMS Min.		
MOX-LAN-SP4B-1100	2:1	1:1	-1.1	-20	-14	-11.5	-42	-37	-33	-45	-40	-35	1500		
MOX-LAN-SP4B-1101	1.25:1	1:1	-1.1	-20	-14	-11.5	-42	-37	-33	-45	-40	-35	1500		
MOX-LAN-SP4B-1102	1:1	1:1	-1.1	-20	-14	-11.5	-42	-37	-33	-45	-40	-35	1500		
MOX-LAN-SP4B-1121	1:1.414	1:1	-1.1	-18	-12	-11.5	-42	-37	-30	-45	-40	-35	1500		
MOX-LAN-SP4B-1183	1:1	1:1	-1.0	-18	-14	-12	-40	-40	-40	-35	-35	-35	1500		
MOX-LAN-SP4B-1199	1:1	1:1	-0.9	-18	-12	-11	-40	-35	-30	-45	-45	-37	1500		
MOX-LAN-SP4B-1188 ¹	1:1	1:1	-1.0	-20	-14	-12	-42	-37	-32	-45	-40	-35	1500		
MOX-LAN-SP4B-1198 ¹	1:1	1:1	-1.0	-20	-14	-12	-42	-37	-32	-45	-40	-35	1500		

MoxiE Notes:

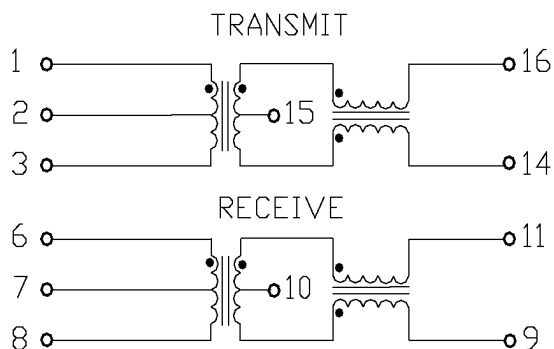
- Operating temperature -20°C to $+70^{\circ}\text{C}$.
- ¹Operating temperature -40°C to $+85^{\circ}\text{C}$.
- MSL = Moisture Sensitivity Level a=1 b=2 c=3 d=4
- Meets RoHS-6 peak reflow rating of 245°C .
- RoHS-6 Compliant: MoxiE Product does not contain 5 out of the 6 banned substances specified in the RoHS directive.
- Some internal connections may contain lead in high-temperature solder (solder alloys containing more than 85% lead).
- Packaging: Tube (45 pcs) or tape & reel (600 pcs)
- MoxiE Inductor Corporation specifications are subject to change without notice.
- MoxiE Inductor Corporation custom designed products are subject to United States Patent and or Copyright protection(s).

REVISION B

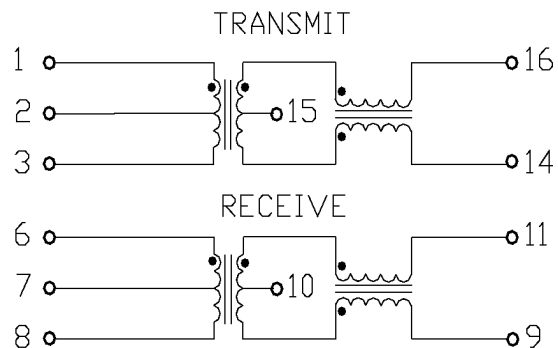


SCHEMATICS

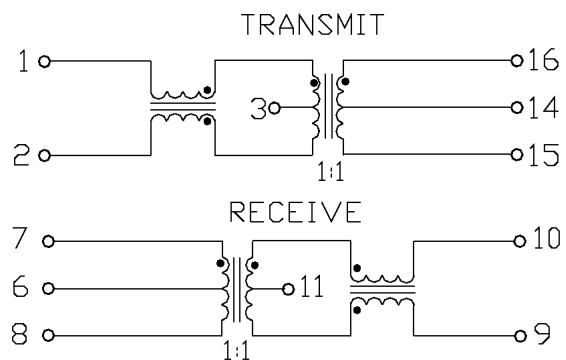
MOX-LAN-SP4B-110X



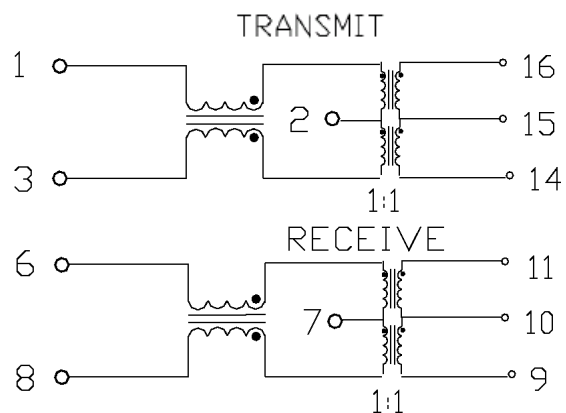
MOX-LAN-SP4B-1121 & 1188



MOX-LAN-SP4B-1199



MOX-LAN-SP4B-1198 & 1183



REVISION B