

# MOX-LAN-TRF-8500



## T3/DS3/E3/STS-1 TRANSFORMERS

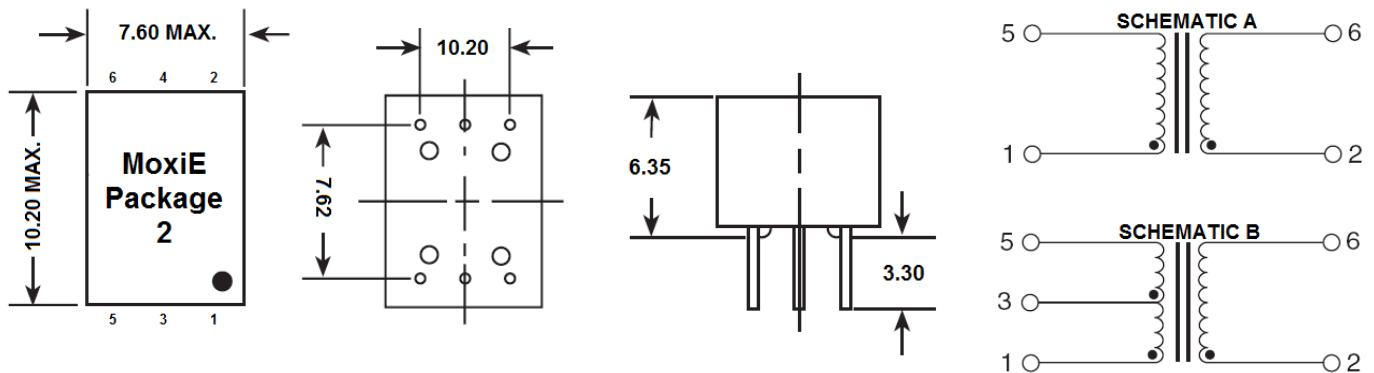
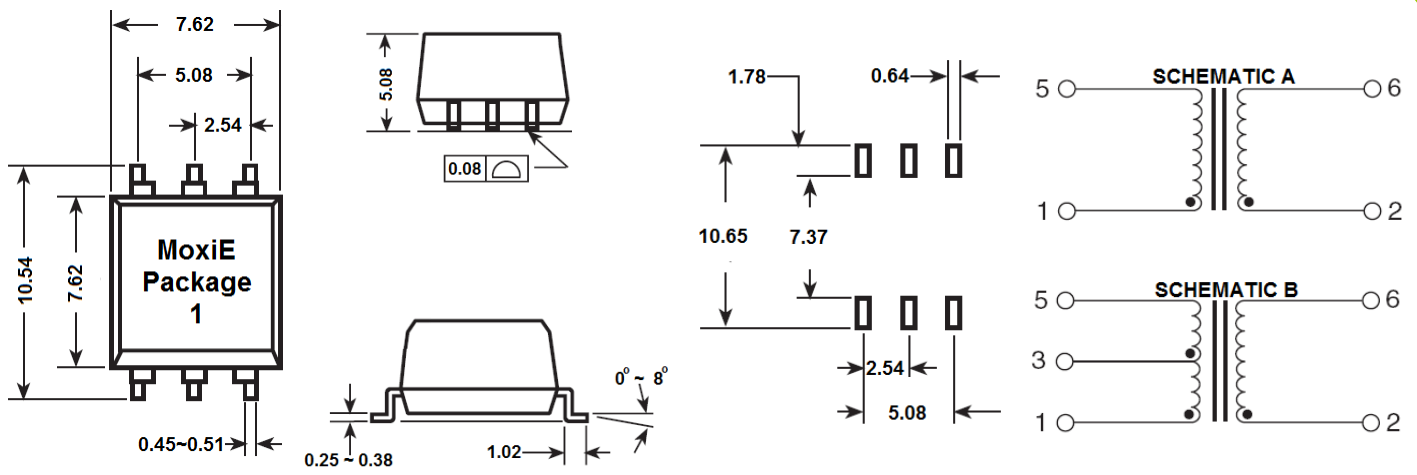
Moxie's LAN-TRF-8500 series of transformers are designed with a compact footprint and a low profile. Surface mount and thru-hole packages are available.

### FEATURES:

- Low cost.
- RoHS compliant.
- Fast rise time compatible with standards.
- Designed for T3, DS3 & STS-1 interfaces.
- Wide range of turns ratios to accommodate various designs.
- Moxie Inductor Corporation custom designs available.

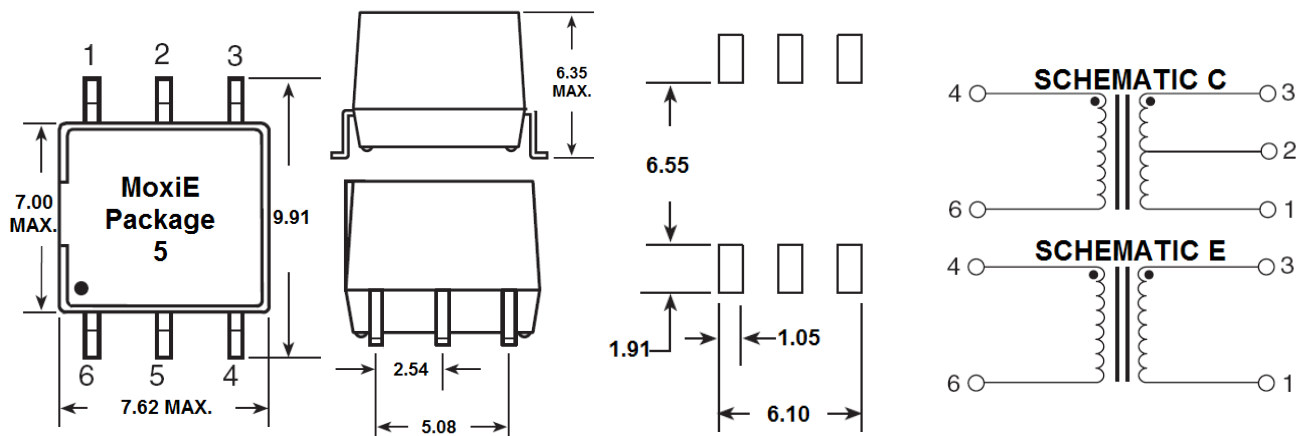
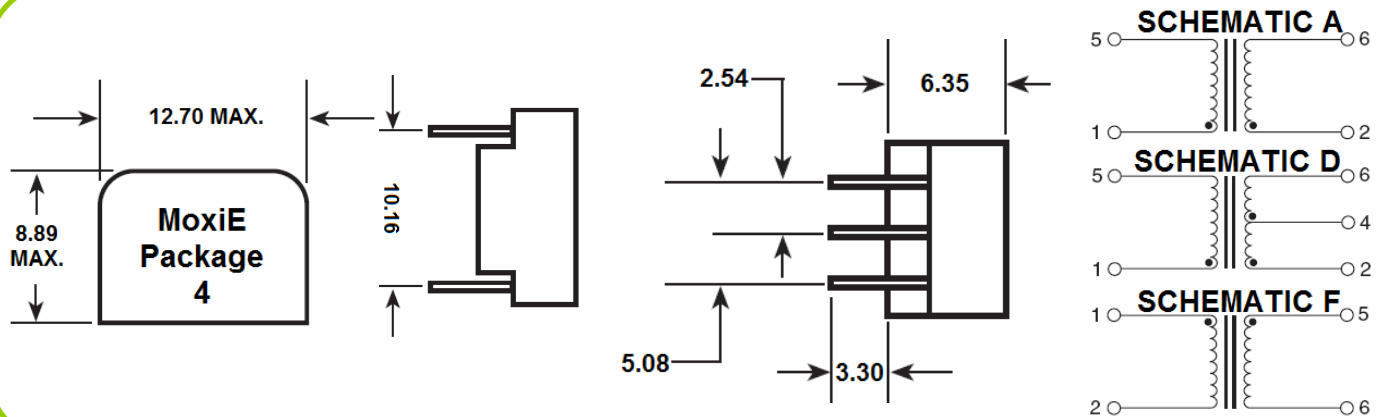
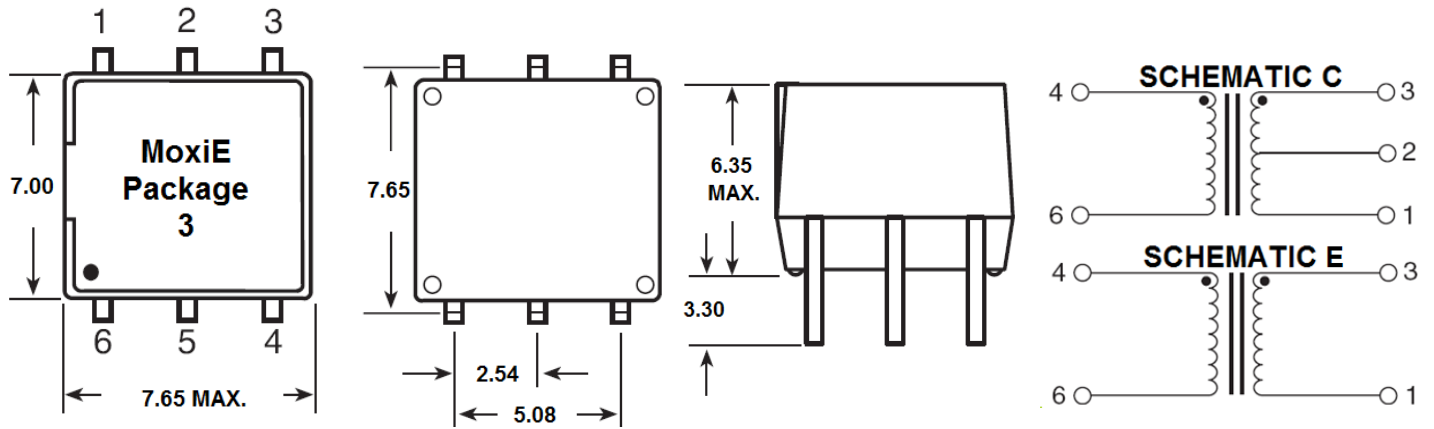


## MECHANICAL DIMENSIONS & SCHEMATICS





## MECHANICAL DIMENSIONS & SCHEMATICS



## ELECTRICAL SPECIFICATIONS

MoxiE Part Number	Turns (±2%)	OCL (μH MIN)	OCL (μH MIN)	LL (μH MAX)	CW/W (pF MAX)	Bandwidth 75Ω System (MHz TYP)	Isolation Voltage (Vrms MIN)	Package / Schematic	Primary Pins
MOX-LAN-TRF-8561	1:2CT	35	20	0.12	10	–	1500	1 / B SMT	2-6
MOX-LAN-TRF-8562	1:1	45	30	0.12	13	–	1500	1 / A SMT	2-6
MOX-LAN-TRF-8563	1:1	40	30	0.12	13	–	1500	2 / A THT	2-6
MOX-LAN-TRF-8564	1:2CT	35	20	0.12	10	–	1500	2 / B THT	2-6
MOX-LAN-TRF-8579	1 :4CT	150	–	0.30	15	–	1500	2 / B THT	2-6
MOX-LAN-TRF-8556	1:1.73CT	50	–	0.10	12	.060-300	1500	3 / C THT	4-6
MOX-LAN-TRF-8566	1:1	40	–	0.10	10	.200-340	1500	4 / E THT	4-6
MOX-LAN-TRF-8567	1:1	40	–	0.10	10	.200-340	1500	5 / E SMT	4-6
MOX-LAN-TRF-8568	1:2CT	19	–	0.06	10	.250-500	1500	5 / C SMT	4-6
MOX-LAN-TRF-8569	1:2CT	19	–	0.06	10	.250-500	1500	3 / C THT	4-6
MOX-LAN-TRF-8529	1:1	40	–	0.10	5	–	3000	4 / A THT	1-5
MOX-LAN-TRF-8530	1:2CT	19	–	0.06	10	–	3000	4 / D THT	1-5
MOX-LAN-TRF-8534	1:1	1.20	25	0.50	0.70	0.70	1500	4 / F THT	1-2

### MOXIE TRANSFORMER SELECTION GUIDE

Chip Manufacturer	Surface Mount		Thru-Hole (1500Vrms)		Thru-Hole (3000Vrms)	
	Transmit	Receive	Transmit	Receive	Transmit	Receive
LUCENT T7296	MOX-LAN-TRF-8567	–	MOX-LAN-TRF-8566	–	MOX-LAN-TRF-8529	–
EXAR XR-T7296	MOX-LAN-TRF-8567	–	MOX-LAN-TRF-8566	–	MOX-LAN-TRF-8529	–
SILICON SYSTEMS						
SSI 78P236, DS3	MOX-LAN-TRF-8568	MOX-LAN-TRF-8567	MOX-LAN-TRF-8569	MOX-LAN-TRF-8566	MOX-LAN-TRF-8530	MOX-LAN-TRF-8529
SSI 78P7200, DS3	MOX-LAN-TRF-8568	MOX-LAN-TRF-8567	MOX-LAN-TRF-8569	MOX-LAN-TRF-8566	MOX-LAN-TRF-8530	MOX-LAN-TRF-8529
SSI 78P7200, E3	MOX-LAN-TRF-8568	MOX-LAN-TRF-8568	MOX-LAN-TRF-8569	MOX-LAN-TRF-8569	MOX-LAN-TRF-8530	MOX-LAN-TRF-8530
SSI 78P2361, STS-1	MOX-LAN-TRF-8568	MOX-LAN-TRF-8567	MOX-LAN-TRF-8569	MOX-LAN-TRF-8566	MOX-LAN-TRF-8530	MOX-LAN-TRF-8529
SSI 78P2362, E3	MOX-LAN-TRF-8568	MOX-LAN-TRF-8567	MOX-LAN-TRF-8569	MOX-LAN-TRF-8566	MOX-LAN-TRF-8530	MOX-LAN-TRF-8529
TRANSWITCH						
MRT TXC-02050, E3	MOX-LAN-TRF-8568	MOX-LAN-TRF-8567	MOX-LAN-TRF-8569	MOX-LAN-TRF-8566	MOX-LAN-TRF-8530	MOX-LAN-TRF-8529
ART 02020 DS3, STS-1	MOX-LAN-TRF-8567	MOX-LAN-TRF-8567	MOX-LAN-TRF-8566	MOX-LAN-TRF-8566	MOX-LAN-TRF-8529	MOX-LAN-TRF-8529

#### MoxiE Notes:

- MSL = Moisture Sensitivity Level a=1 b=2 c=3 d=4
- Meets RoHS-6 peak reflow rating of 245°C.
- RoHS-6 Compliant: MoxiE Product does not contain 5 out of the 6 banned substances specified in the RoHS directive.
- Some internal connections may contain lead in high-temperature solder (solder alloys containing more than 85% lead).
- Packaging: Tube
- MoxiE Inductor Corporation specifications are subject to change without notice.