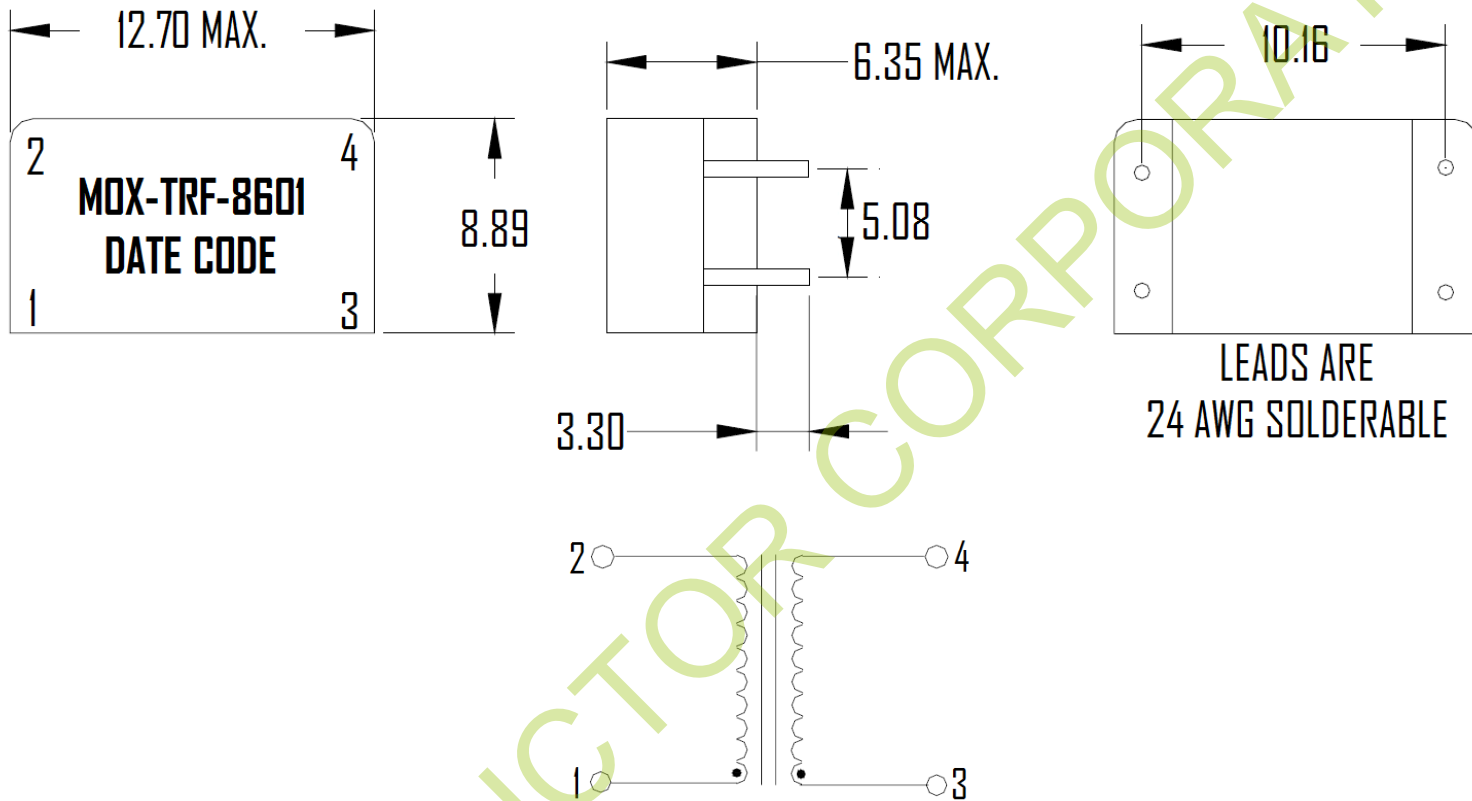


## MECHANICAL (mm)



### MOXIE NOTES:

- Designed for Cirrus Logic's CS8401, CS8402, CS8403 & CS8404 IC's.
- RoHS-6 peak wave solder temperature rating 245°C.
- RoHS Compliant.
- High isolation voltage: 2kV MINIMUM.
- Operating temperature range: -40°C to +85°C.
- Storage temperature range: -40°C to +125°C.
- MoxiE Inductor Corporation custom designs are subject to United States copyright and or patent protection(s).
- MoxiE Inductor Corporation specifications are subject to change without notice.

**MoxiE**  
INDUCTOR CORPORATION

(888)535.5207 WWW.MOXIEINDUCTORS.COM

DIGITAL AUDIO TRANSMISSION TRANSFORMERS

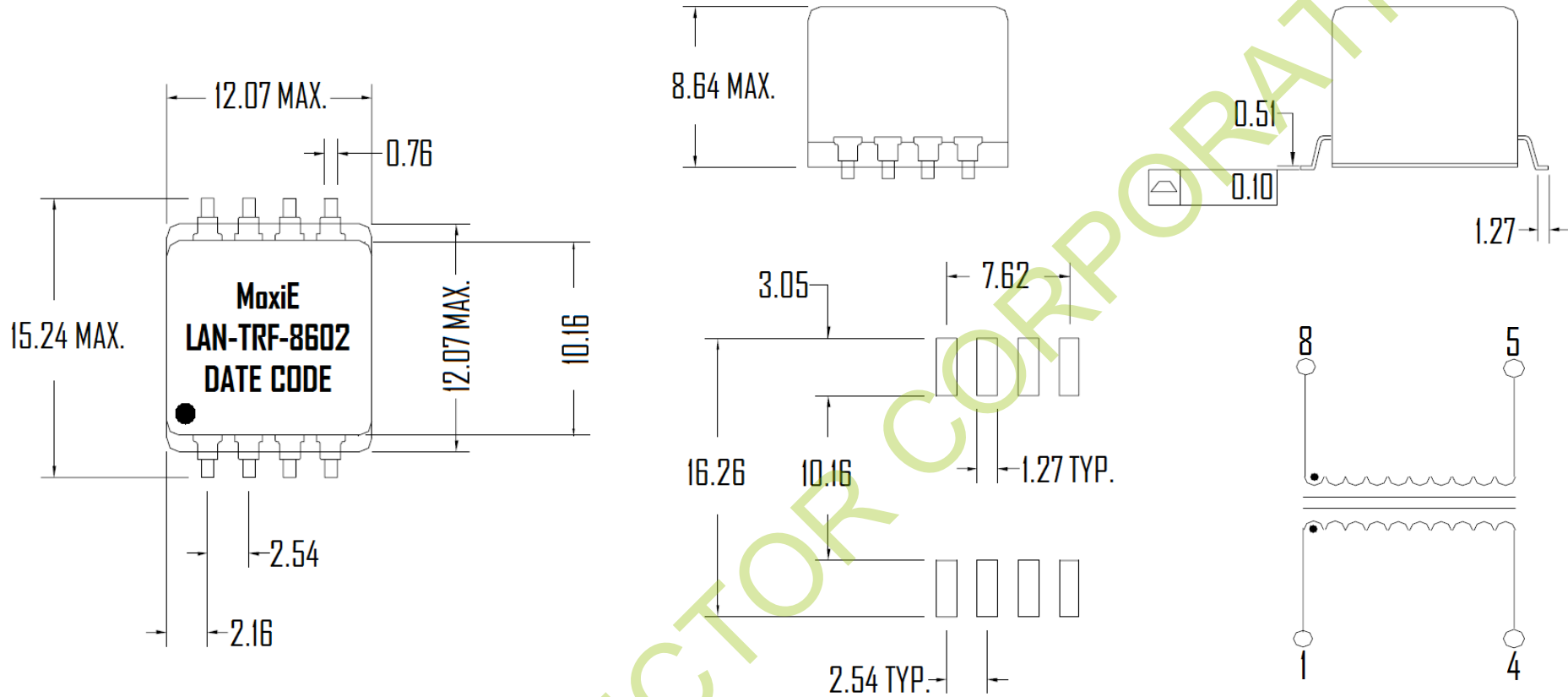
MOXIE MOX-LAN TRF-8600 SERIES

PAGE 1/3

REV. A

DWG NUMBER: MOXLANTRF8600

# MECHANICAL (mm)



## MOXIE NOTES:

- Designed for Cirrus Logic's CS8401, CS8402, CS8403 & CS8404 IC's.
- RoHS-6 peak wave solder temperature rating 245°C.
- RoHS Compliant.
- High isolation voltage: 2kV MINIMUM.
- Operating temperature range: -40°C to +85°C.
- Storage temperature range: -40°C to +125°C.
- MoxiE Inductor Corporation custom designs are subject to United States copyright and or patent protection(s).
- MoxiE Inductor Corporation specifications are subject to change without notice.

**MoxiE**  
INDUCTOR CORPORATION

(888)535.5207 WWW.MOXIEINDUCTORS.COM

DIGITAL AUDIO TRANSMISSION TRANSFORMERS

MOXIE MOX-LAN TRF-8600 SERIES

PAGE 2/3

REV. A

DWG NUMBER: MOXLANTRF8600

# ELECTRICAL @ 25°C

MOXIE PART NUMBER	TURNS RATIO (±5%)	PRIMARY INDUCTANCE (mH ±20%)	LL (μH MAX.)	RISE TIME (nsec MAX.)	ET (V-μsec) MAX.	ISOLATION (VRMS) MIN.	BANDWIDTH (100KHz~55MHz) TYP.	RETURN LOSS (100KHz~10MHz) MIN.
MOX-LAN-TRF-8601	1:1	2.50	0.50	25.0	20.0	2000	3dB	20dB
MOX-LAN-TRF-8602	1:1	2.50	0.50	25.0	20.0	2000	3dB	20dB

## MOXIE NOTES:

- Designed for Cirrus Logic's CS8401, CS8402, CS8403 & CS8404 IC's.
- RoHS-6 peak wave solder temperature rating 245°C.
- RoHS Compliant.
- High isolation voltage: 2kV MINIMUM.
- Operating temperature range: -40°C to +85°C.
- Storage temperature range: -40°C to +125°C.
- MoxiE Inductor Corporation custom designs are subject to United States copyright and or patent protection(s).
- MoxiE Inductor Corporation specifications are subject to change without notice.

**MoxiE**  
INDUCTOR CORPORATION

(888)535.5207 WWW.MOXIEINDUCTORS.COM

DIGITAL AUDIO TRANSMISSION TRANSFORMERS

MOXIE MOX-LAN TRF-8600 SERIES

PAGE 3/3

REV. A

DWG NUMBER: MOXLANTRF8600