

MOX-RJ45TD SERIES



10/100 BASE-TX RJ CONNECTOR WITH INTEGRATED MAGNETICS (TAB DOWN)

- Designed to support applications, such as SOHO (ADSL modems),
- LAN-on-Motherboard (LOM), Hub and switches.
- 1x1 Tab-DOWN RJ45 with internal magnetics.
- Available with or without LEDs.
- RoHS NL peak solder rating 235°C.
- Meets or exceeds IEEE 802.3 standard for 100Base -T
- 350uH minimum OCL with 8 mA bias current.
- RoHS compliant.
- MoxiE custom designs available.



ELECTRICAL SPECIFICATIONS @ 25°C

MoxiE Part Number	Turns Ratio		Insertion Loss (dB typical)		Return Loss (dB typical) 100Ω±15Ω			Crosstalk (dB typical)			Common Mode Rejection (dB typical)		Hi-Pot (Vrms)
	TX	RX	1-65 MHz	1-10 MHz	10-30 MHz	30-60 MHz	60-100 MHz	10-30 MHz	30-60 MHz	60-100 MHz	1-50 MHz	50-150 MHz	@60Hz 1MIN
MOX-RJ45TD-006	1CT:1	1CT:1	-1.0	-20.0	-16.0	-12.0	-10.0	-40.0	-35.0	-30.0	-30.0	.20.0	1500
MOX-RJ45TD-011	1CT:1	1CT:1	-1.0	-20.0	-16.0	-12.0	-10.0	-40.0	-35.0	-30.0	-30.0	.20.0	1500
MOX-RJ45TD-012	1CT:1	1CT:1	-1.0	-20.0	-16.0	-12.0	-10.0	-40.0	-35.0	-30.0	-30.0	.20.0	1500
MOX-RJ45TD-018	1CT:1.4	1CT:1T	-1.0	-20.0	-16.0	-12.0	-10.0	-40.0	-35.0	-30.0	-30.0	.20.0	1500
MOX-RJ45TD-024	1CT:2	1CT:1	-1.0	-20.0	-16.0	-12.0	-10.0	-40.0	-35.0	-30.0	-30.0	.20.0	1500
MOX-RJ45TD-026	1.25CT:1	1CT:1	-1.0	-20.0	-16.0	-12.0	-10.0	-40.0	-35.0	-30.0	-30.0	.20.0	1500
MOX-RJ45TD-033	1CT:1	1CT:1	-1.0	-20.0	-16.0	-12.0	-10.0	-40.0	-35.0	-30.0	-30.0	.20.0	1500
MOX-RJ45TD-035	1CT:1	1CT:1	-1.0	-20.0	-16.0	-12.0	-10.0	-40.0	-35.0	-30.0	-30.0	.20.0	1500
MOX-RJ45TD-048	1CT:1	1CT:1	-1.0	-20.0	-16.0	-12.0	-10.0	-40.0	-35.0	-30.0	-30.0	.20.0	1500
MOX-RJ45TD-073	1CT:2.5	1CT:1	-1.0	-20.0	-16.0	-12.0	-10.0	-40.0	-35.0	-30.0	-30.0	.20.0	1500

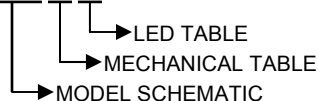
MOXIE MECHANICAL OPTIONS

A	STAGGERED LED FOOTPRINT AND EMI FINGER
B	STAGGERED LED FOOTPRINT AND NON-EMI FINGER
C	WITHOUT LED, WITH EMI FINGER
D	WITHOUT LED, WITHOUT EMI FINGER
E	WITH INLINE LED FOOTPRINT AND EMI FINGER (4.90)
F	WITH INLINE LED FOOTPRINT AND NON-EMI FINGER (4.90)
G	WITH INLINE LED FOOTPRINT AND EM FINGER (4.06)
H	WITH INLINE FOOTPRINT AND NON-EMI FINGER (4.06)

MOXIE LED ORDERING OPTIONS

LED CODE	LED COLOR		LED POLARITY
A	Y	G	9°
B	G	Y	10°
C	G	G	12°
D	Y	G	11°
E	G	Y	9°
F	G	G	10°
G	Y	G	11°
H	G	Y	12°
W	G	G	9°

MOX-RJ45-XXXX X X

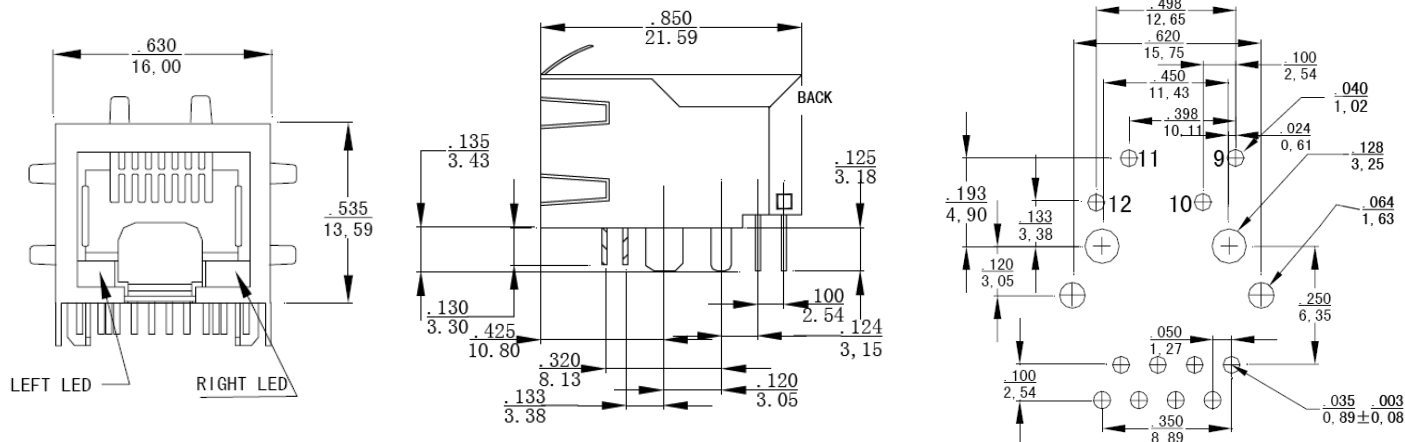


MOX-RJ45TD SERIES

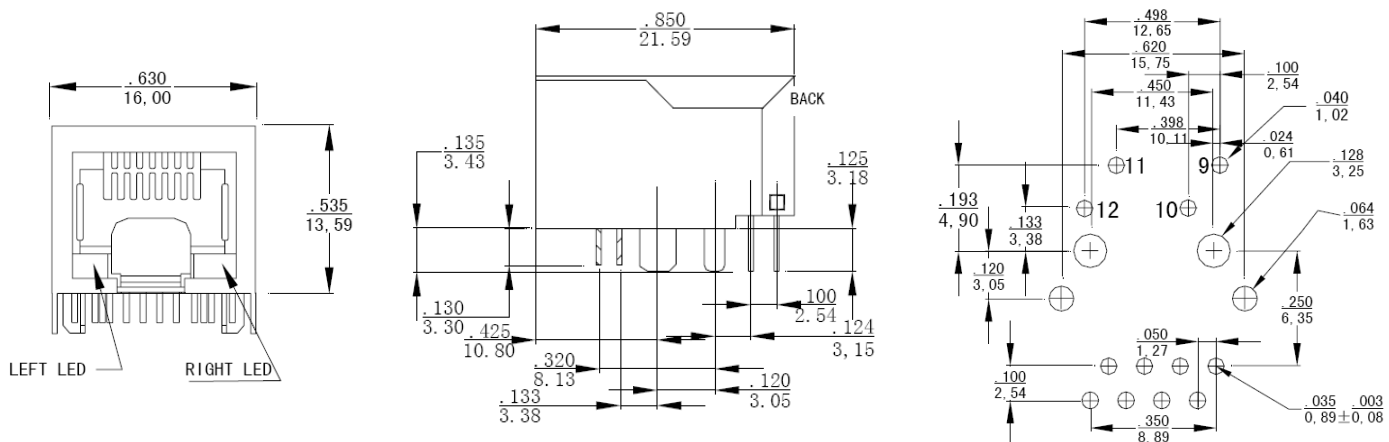
10/100 BASE-TX RJ CONNECTOR WITH INTEGRATED MAGNETICS (TAB DOWN)



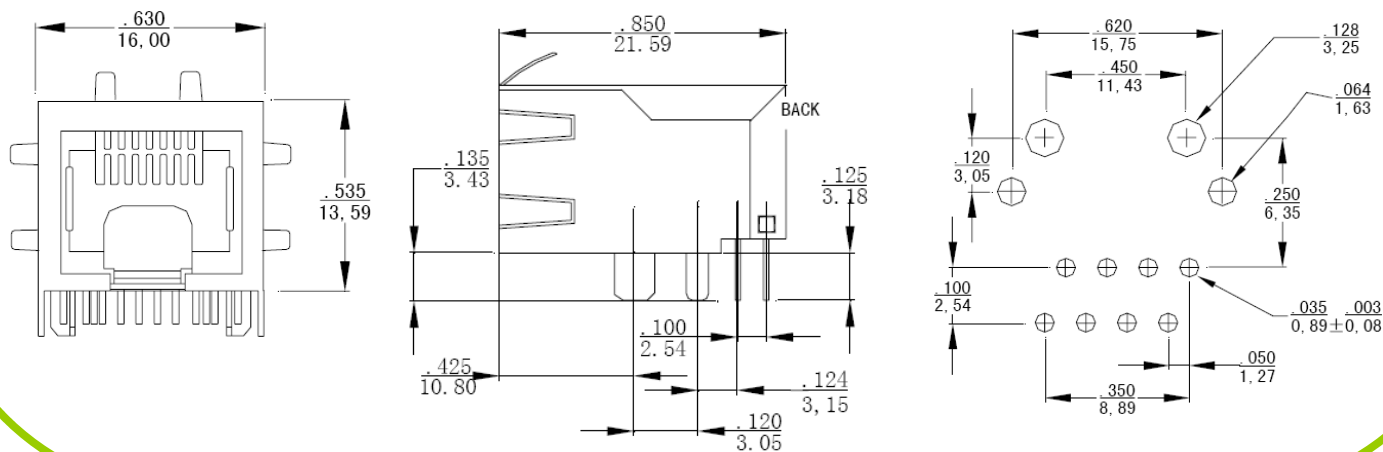
(A) STAGGERED LED FOOTPRINT WITH EMI FINGER



(B) STAGGERED LED FOOTPRINT WITH NON-EMI FINGER



(C) WITHOUT LED & WITH EMI-FINGER

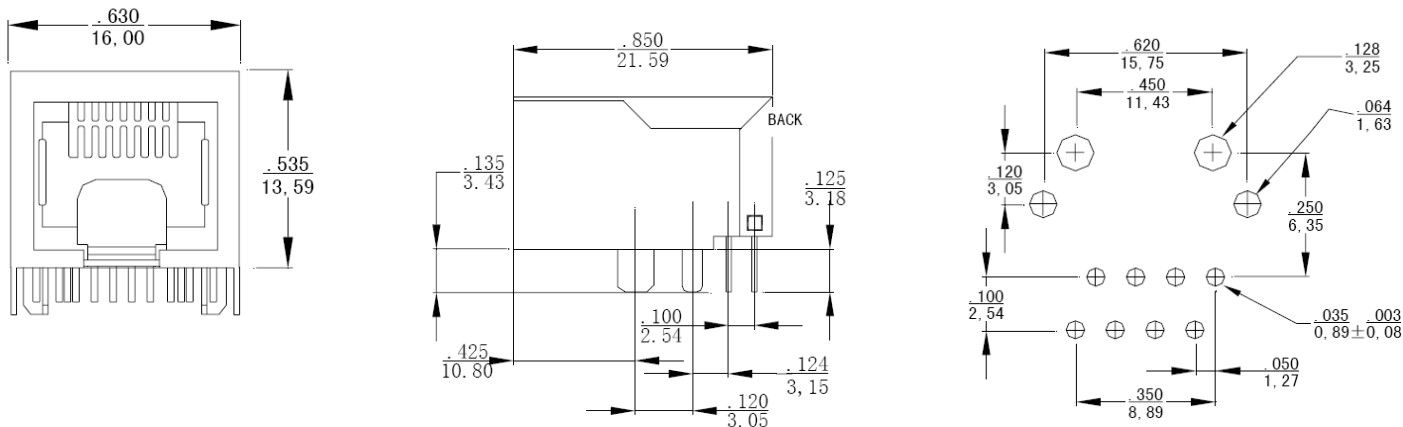


MOX-RJ45TD SERIES

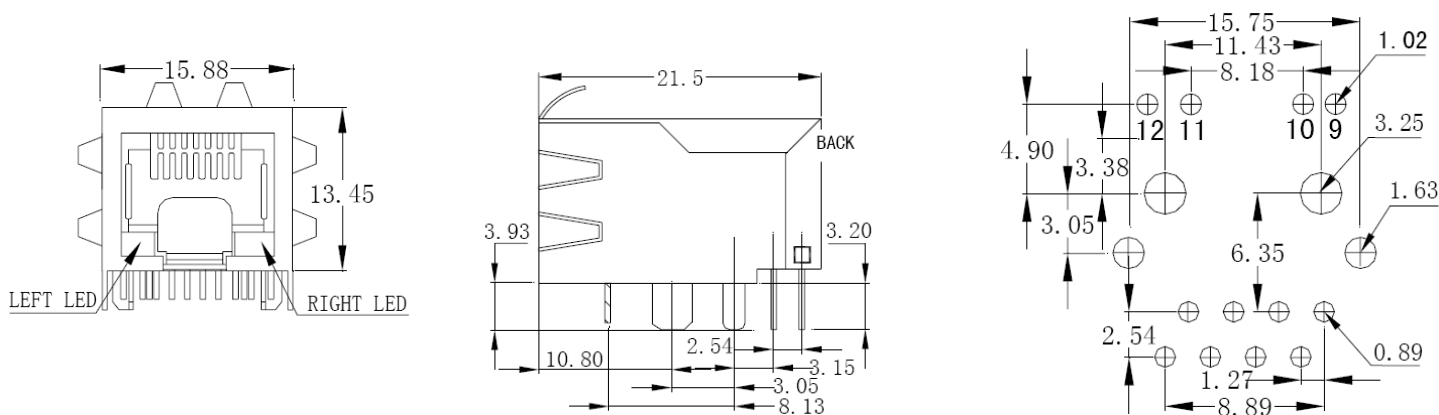
10/100 BASE-TX RJ CONNECTOR WITH INTEGRATED MAGNETICS (TAB DOWN)



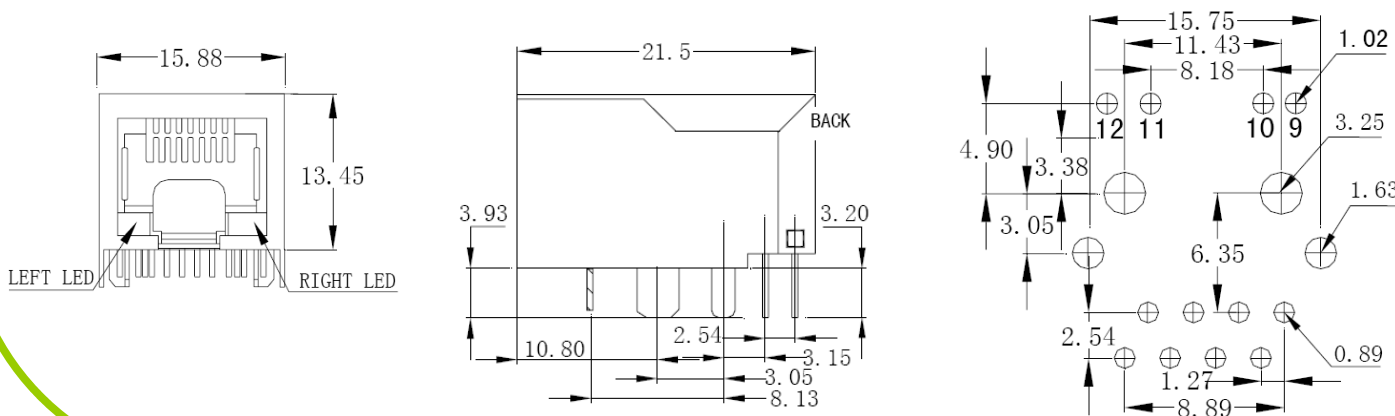
(D) WITHOUT LED & EMI FINGER



(E) WITH INLINE LED FOOTPRINT & EMI FINGER (4.90)



(F) WITH INLINE LED FOOTPRINT & NON-EMI FINGER (4.90)

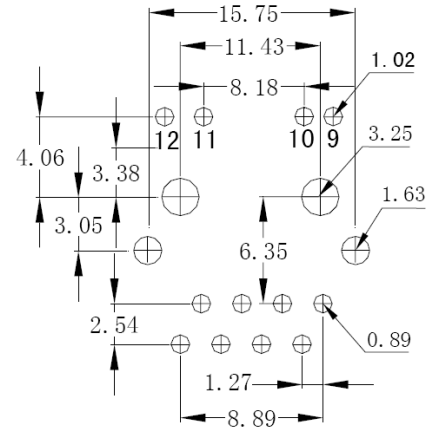
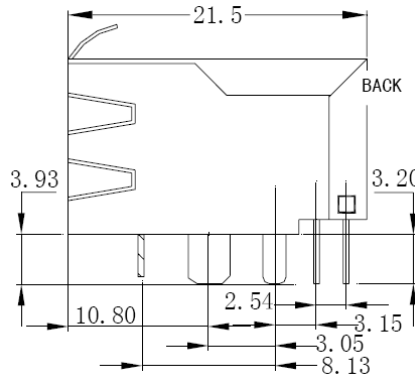
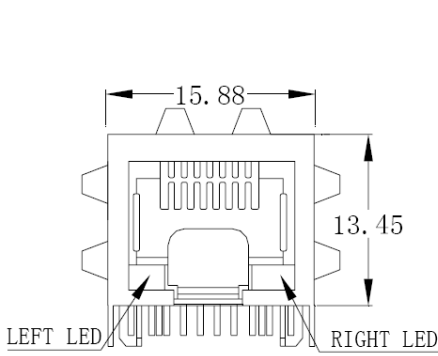


MOX-RJ45TD SERIES

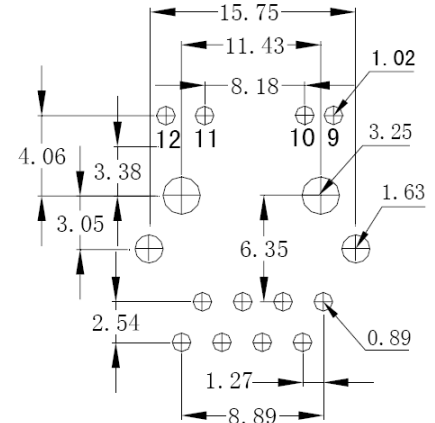
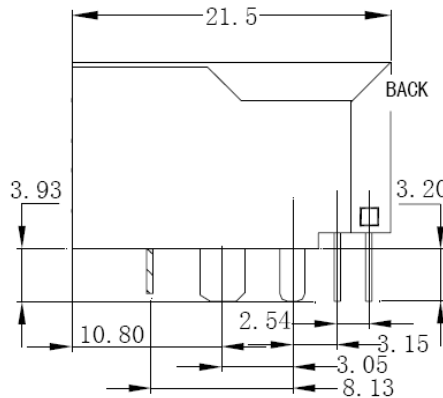
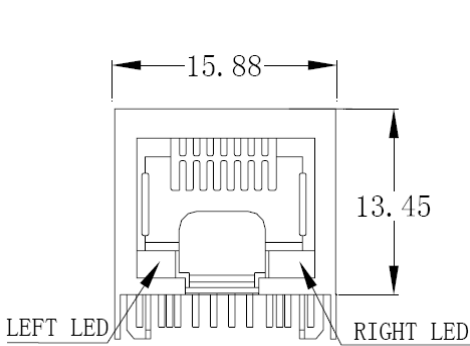
10/100 BASE-TX RJ CONNECTOR WITH INTEGRATED MAGNETICS (TAB DOWN)

MoxiE[®]
INDUCTOR CORPORATION

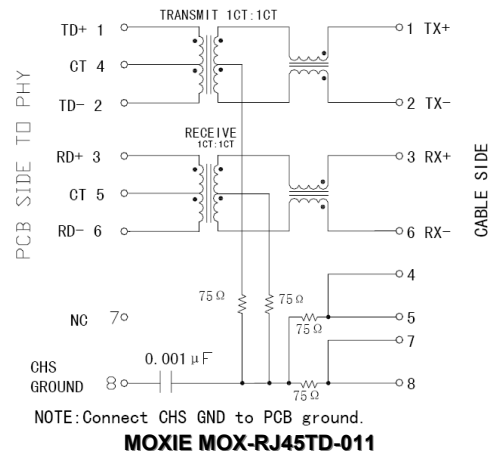
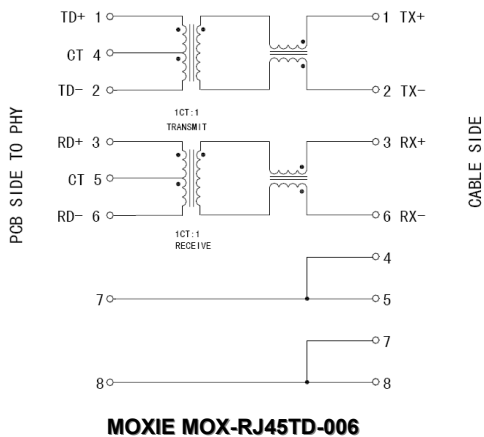
(G) WITH INLINE LED FOOTPRINT & EMI-FINGER (4.06)



(H) WITH INLINE LED FOOTPRINT & NON-EMI FINGER (4.06)



SCHEMATICS



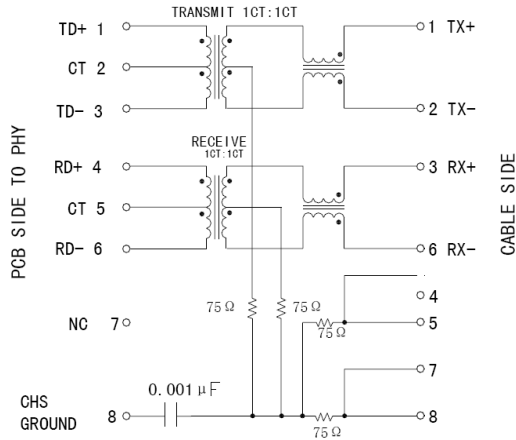
MOX-RJ45TD SERIES

10/100 BASE-TX RJ CONNECTOR WITH INTEGRATED MAGNETICS (TAB DOWN)

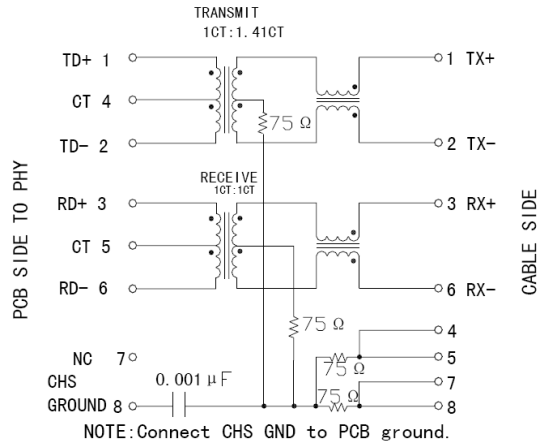
MoxiE[®]
INDUCTOR CORPORATION



SCHEMATICS

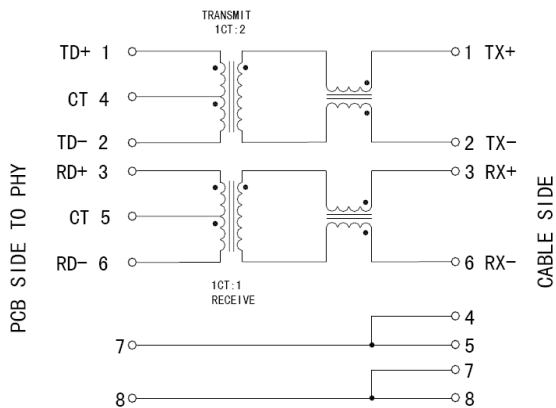


MOXIE MOX-RJ45TD-012

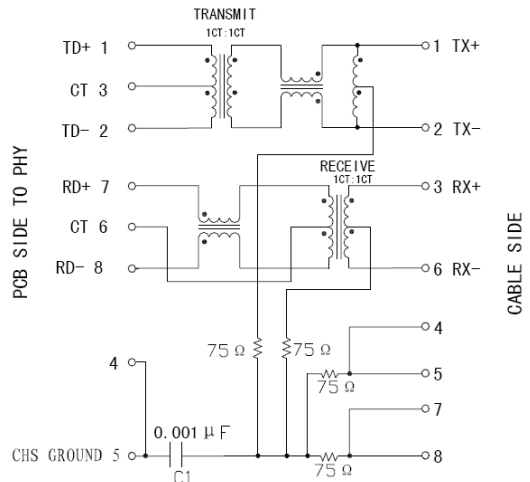


NOTE: Connect CHS GND to PCB ground.

MOXIE MOX-RJ45TD-018

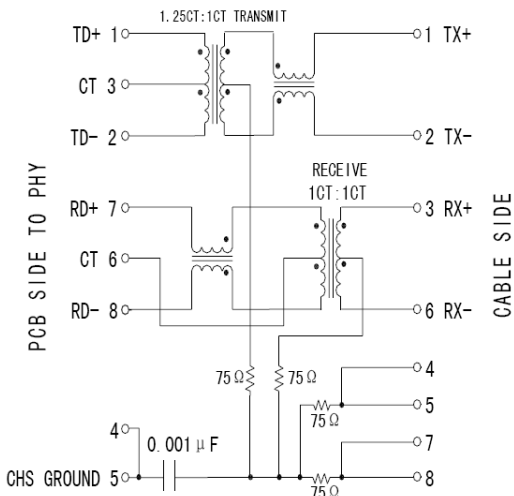


MOXIE MOX-RJ45TD-024

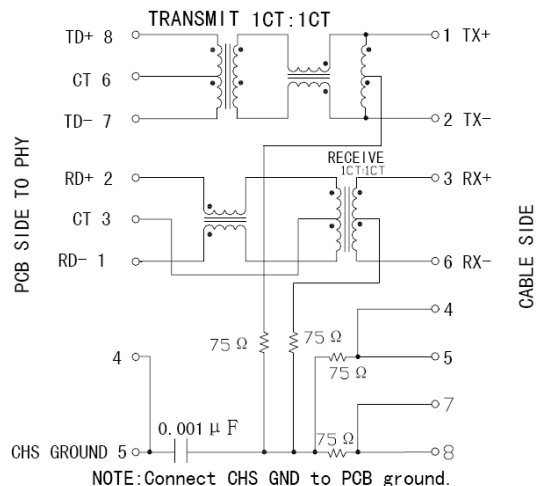


NOTE: Connect CHS GND to PCB ground.

MOXIE MOX-RJ45TD-026



MOXIE MOX-RJ45TD-033



NOTE: Connect CHS GND to PCB ground.

MOXIE MOX-RJ45TD-035

MOX-RJ45TD SERIES

10/100 BASE-TX RJ CONNECTOR WITH INTEGRATED MAGNETICS (TAB DOWN)



SCHEMATICS

