

# MOX-SPI-2D18



## Surface Mount Shielded Power Inductors

MoxiE's SPI-2D18 series of surface mount shielded power inductors are widely used in PDA's, notebooks, LCD televisions and digital cameras. MoxiE offers a ultra low profile magnetically shielded package that offer high inductance & high power.

### Features:

- Low Cost.
- Operating Temperature: -40°C to +85°C.
- Available Tolerances:  $\pm 30\%$ .
- RoHS Compliant.
- Magnetically Shielded Applications.



## NOTES

---

---

---

---

---

---

---

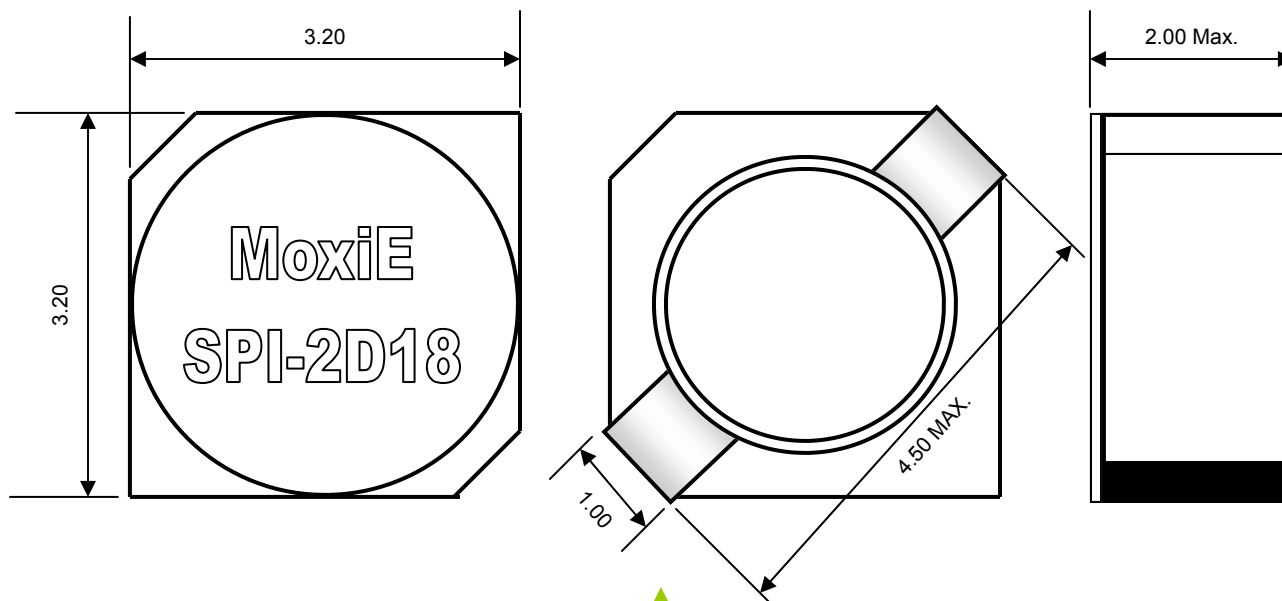
---

---

---

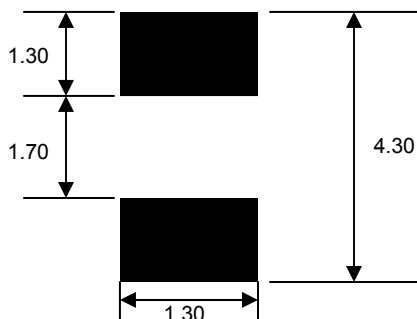
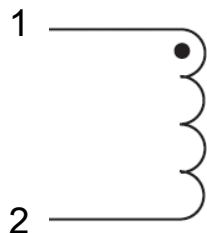


## MECHANICAL DIMENSIONS





## LANDING PATTERN & SCHEMATIC



## ELECTRICAL SPECIFICATIONS

Part Number	Inductance (μH)	Tolerance (%)	RDC (mΩ) Maximum	Rated Current (A)	L Test Frequency
MOX-SPI-2D18-2R2T	2.20	30% (T)	41	0.85	100 kHz
MOX-SPI-2D18-3R3T	3.30	30% (T)	54	0.76	100 kHz
MOX-SPI-2D18-4R7T	4.70	30% (T)	78	0.65	100 kHz
MOX-SPI-2D18-6R8T	6.80	30% (T)	105	0.55	100 kHz
MOX-SPI-2D18-100T	10.00	30% (T)	180	0.45	100 kHz
MOX-SPI-2D18-150T	15.00	30% (T)	220	0.37	100 kHz
MOX-SPI-2D18-220T	22.00	30% (T)	320	0.32	100 kHz
MOX-SPI-2D18-330T	33.00	30% (T)	460	0.25	100 kHz
MOX-SPI-2D18-470T	47.00	30% (T)	660	0.22	100 kHz



## ENGINEERING NOTES

- Rated current: The rated current indicates the current when the inductance decreases to 65% over its nominal value or D.C. current when the temperature rises  $\Delta t=40^{\circ}\text{C}$ .
- MoxiE test instruments: HP4192A LF impedance analyzer. RDC: CH502BC Rated current: HP4284+HP42841A or CH1061+CH301A
- Magnetically shielded to prevent noise radiation.
- MoxiE Inductor Corporation specifications are subject to change without notice.