

# MOX-SPIF-0745-SERIES

## Surface Mount Shielded Power Inductors

**MoxiE**<sup>®</sup>  
INDUCTOR CORPORATION

- Shielded construction.
- Inductance range from 1.0 $\mu$ H to 1000.0 $\mu$ H
- Current ratings up to 35.0 Amps
- Operating temperature: -40°C to +85°C.
- Excellent solderability & resistance to soldering heat.
- RoHS compliant.
- Packaging: Tape & Reel (1,000 pieces per reel).
- MoxiE Inductor Corporation custom designs available.



## NOTES

Temperature rise: +40°C.

RoHS Compliant.

Rated current based on temperature rise &  $\Delta L/L0A = 10\%$  maximum.

Operating temperature: -40°C to +125°C.

Storage temperature: -40°C to +125°C.

Resistance to soldering heat: +260°C for ten (10) seconds.

Core: Ferrite DR and RI.

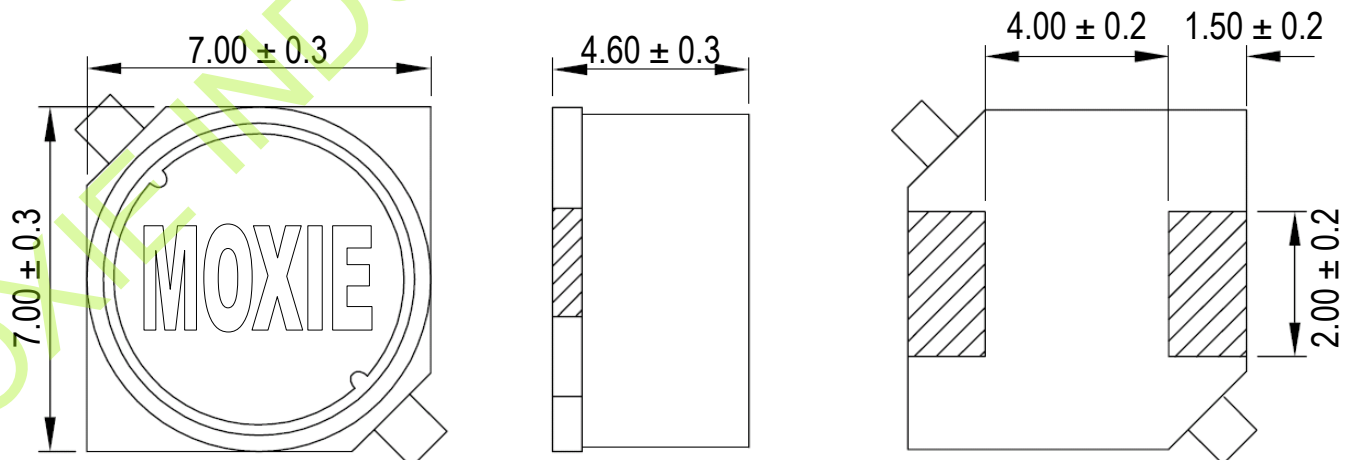
Wire: Enameled copper wire. (130)

MoxiE Inductor Corporation specifications are subject to change without notice.

MoxiE Inductor Corporation custom designed products are subject to United States Copyright and or Patent protection(s).

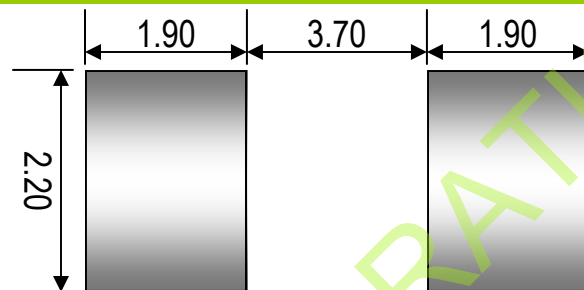
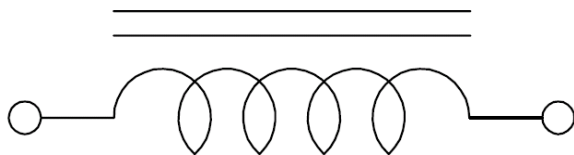


## MECHANICAL DIMENSIONS (mm)





## SCHEMATIC & RECOMMENDED LAYOUT



## ELECTRICAL SPECIFICATIONS

MoxiE Part Number	Inductance (μH)	Tolerance (±)	Test Frequency	RDC (mΩ) Max.	IDC (A) Max.
MOX-SPIF-0745-1R0M	1.00	20%	1V/ 100KHz	20	3.20
MOX-SPIF-0745-1R5M	1.50	20%	1V/ 100KHz	23	2.95
MOX-SPIF-0745-2R2M	2.20	20%	1V/ 100KHz	26	2.80
MOX-SPIF-0745-3R3M	3.30	20%	1V/ 100KHz	30	3.10
MOX-SPIF-0745-4R7M	4.70	20%	1V/ 100KHz	36	2.20
MOX-SPIF-0745-6R8M	6.80	20%	1V/ 100KHz	45	2.00
MOX-SPIF-0745-100M	10.00	20%	1V/ 100KHz	60	1.75
MOX-SPIF-0745-120M	12.00	20%	1V/ 100KHz	65	1.65
MOX-SPIF-0745-150M	15.00	20%	1V/ 100KHz	70	1.55
MOX-SPIF-0745-180M	18.00	20%	1V/ 100KHz	80	1.25
MOX-SPIF-0745-220M	22.00	20%	1V/ 100KHz	90	1.20
MOX-SPIF-0745-270M	27.00	20%	1V/ 100KHz	120	1.10
MOX-SPIF-0745-330M	33.00	20%	1V/ 100KHz	135	1.00
MOX-SPIF-0745-390M	39.00	20%	1V/ 100KHz	150	0.95
MOX-SPIF-0745-470M	47.00	20%	1V/ 100KHz	170	0.88
MOX-SPIF-0745-560M	56.00	20%	1V/ 100KHz	230	0.75
MOX-SPIF-0745-680M	68.00	20%	1V/ 100KHz	270	0.70
MOX-SPIF-0745-820M	82.00	20%	1V/ 100KHz	300	0.60
MOX-SPIF-0745-101M	100.00	20%	1V/ 100KHz	360	0.55
MOX-SPIF-0745-121M	120.00	20%	1V/ 100KHz	400	0.49
MOX-SPIF-0745-151M	150.00	20%	1V/ 100KHz	530	0.45
MOX-SPIF-0745-181M	180.00	20%	1V/ 100KHz	600	0.42
MOX-SPIF-0745-221M	220.00	20%	1V/ 100KHz	800	0.38
MOX-SPIF-0745-271M	270.00	20%	1V/ 100KHz	900	0.35
MOX-SPIF-0745-331M	330.00	20%	1V/ 100KHz	1000	0.33
MOX-SPIF-0745-391M	390.00	20%	1V/ 100KHz	1400	0.29
MOX-SPIF-0745-471M	470.00	20%	1V/ 100KHz	1600	0.27
MOX-SPIF-0745-561M	560.00	20%	1V/ 100KHz	1750	0.26
MOX-SPIF-0745-681M	680.00	20%	1V/ 100KHz	1800	0.25
MOX-SPIF-0745-821M	820.00	20%	1V/ 100KHz	2200	0.25
MOX-SPIF-0745-102M	1000.00	20%	1V/ 100KHz	2400	0.24