

# MOX-SPI-0402

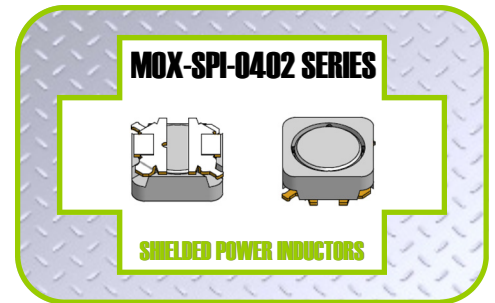
**MoxiE**  
INDUCTOR CORPORATION

## Surface Mount Shielded Power Inductors

MoxiE's SPI-0402 series of surface mount shielded are engineered for portable DC-DC converter lines & mobile phones. MoxiE offers an industry leading ultra low profile magnetically shielded package that offer high inductance & high power.

### Features:

- Miniature size, Mounting area: 4.2 x 4.2 Height: 1.2mm max.
- Low Cost.
- Operating Temperature: -40°C to +105°C. (including self temperature rise)
- Available Tolerances:  $\pm 20\%$  &  $\pm 30\%$ .
- RoHS Compliant.
- Magnetically Shielded Applications.



## NOTES

---

---

---

---

---

---

---

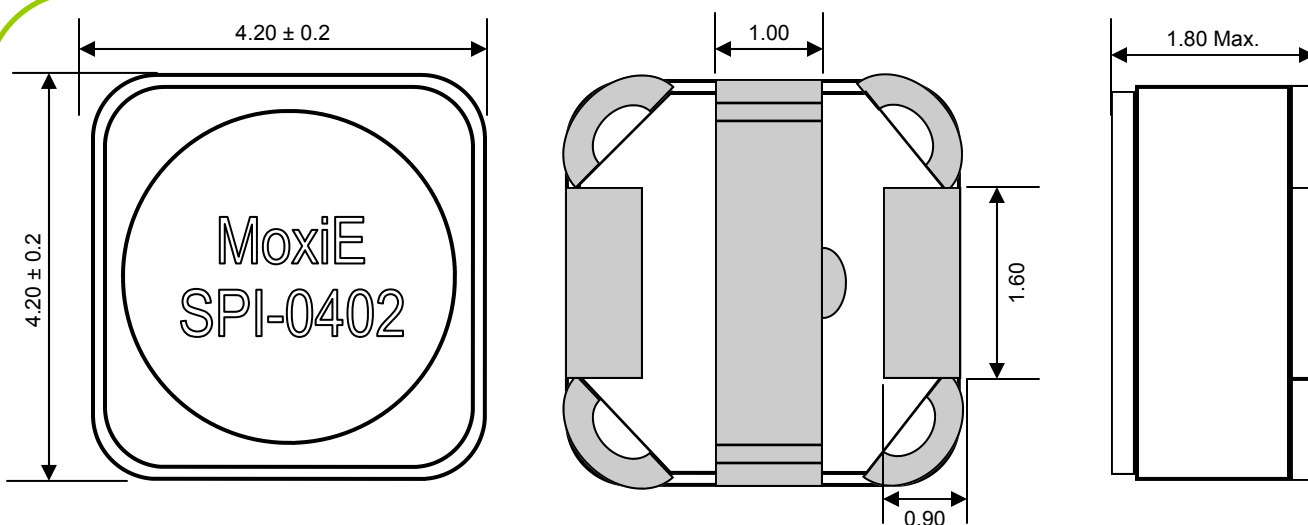
---

---

---

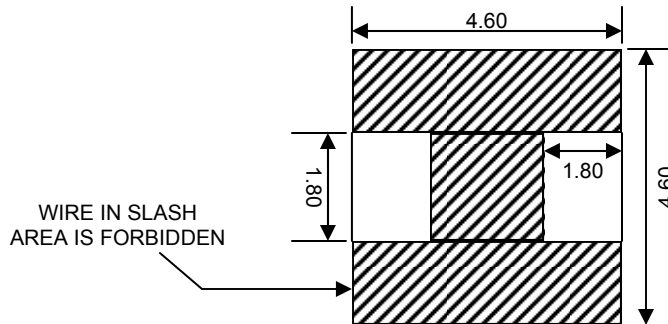


## MECHANICAL DIMENSIONS





## LANDING PATTERN



## ELECTRICAL SPECIFICATIONS

MoxiE Part Number	Inductance ( $\mu\text{H}$ )	Tolerance (%)	DCR ( $\text{m}\Omega$ ) Maximum	DCR ( $\text{m}\Omega$ ) Typical	IDC1 (A)	IDC2 (A)
MOX-SPI-0402-1R2N	1.20	30% (N)	71	57	2.4	1.88
MOX-SPI-0402-1R5N	1.50	30% (N)	83	67	2.2	1.69
MOX-SPI-0402-2R2N	2.20	30% (N)	105	84	1.9	1.43
MOX-SPI-0402-3R3N	3.30	30% (N)	147	118	1.5	1.15
MOX-SPI-0402-4R7N	4.70	30% (N)	212	170	1.2	0.93
MOX-SPI-0402-6R8N	6.80	30% (N)	257	205	1.0	0.89
MOX-SPI-0402-8R2N	8.20	30% (N)	340	272	0.95	0.74
MOX-SPI-0402-100M	10.00	20% (M)	424	339	0.85	0.63
MOX-SPI-0402-120M	12.00	20% (M)	483	386	0.76	0.59
MOX-SPI-0402-150M	15.00	20% (M)	545	436	0.72	0.54
MOX-SPI-0402-180M	18.00	20% (M)	777	622	0.60	0.47
MOX-SPI-0402-220M	22.00	20% (M)	817	653	0.57	0.44
MOX-SPI-0402-270M	27.00	20% (M)	989	791	0.48	0.39

### Rated Current:

IDC1: The value obtained DC current flows and the nominal value of inductance has fallen by 35%.

IDC2: The value obtained when current flows and the temperature has risen to 40°C.



## MOX-SPI-0402 ENGINEERING NOTES

- Available Tolerances: N=  $\pm 30\%$ , M=  $\pm 20\%$ ,
- RoHS compliant
- Packaging: Tape & Reel.
- MoxiE Inductor Corporation specifications are subject to change without notice.