

MOX-SPI-0704

MoxiE
INDUCTOR CORPORATION

Surface Mount Shielded Power Inductors

MoxiE's SPI-0704 series of surface mount shielded power inductors are widely used in PDA's, notebooks, LCD televisions and digital cameras. MoxiE offers a ultra low profile magnetically shielded package that offer high inductance & high power.

Features:

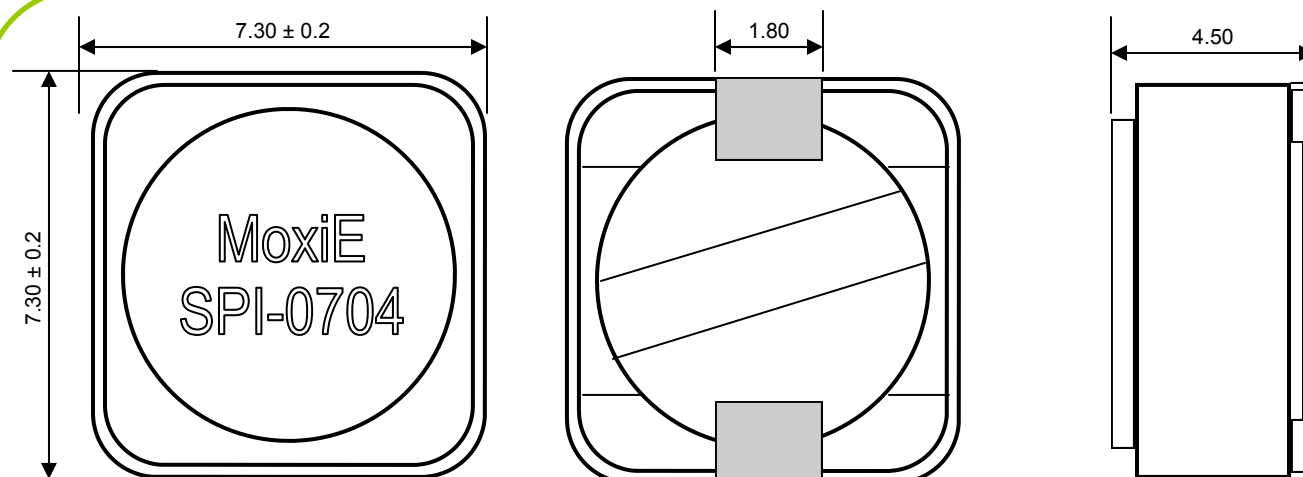
- Low Cost.
- Operating Temperature: -30°C to +85°C.
- Available Tolerances: $\pm 20\%$ & $\pm 30\%$.
- RoHS Compliant.
- Magnetically Shielded Applications.



NOTES

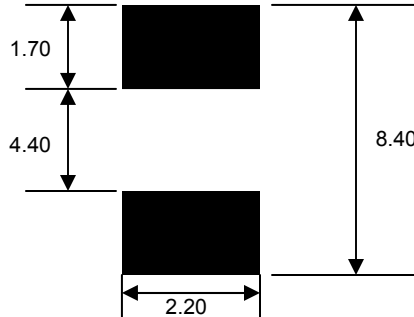
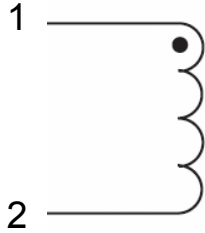


MECHANICAL DIMENSIONS





LANDING PATTERN & SCHEMATIC



MOX-SPI-0704 CONSTRUCTION



ELECTRICAL SPECIFICATIONS

Part Number	Inductance (µH)	Tolerance (%)	DCR (mΩ) Maximum	Rated Current (A)	L Test Frequency
MOX-SPI-0704-100M	10.0	20% (M)	49	1.85	1 KHz/1V
MOX-SPI-0704-120M	12.0	20% (M)	58	1.75	1 KHz/1V
MOX-SPI-0704-150M	15.0	20% (M)	81	1.52	1 KHz/1V
MOX-SPI-0704-180M	18.0	20% (M)	91	1.35	1 KHz/1V
MOX-SPI-0704-220M	22.0	20% (M)	110	1.24	1 KHz/1V
MOX-SPI-0704-270M	27.0	20% (M)	150	1.15	1 KHz/1V
MOX-SPI-0704-330M	33.0	20% (M)	170	1.01	1 KHz/1V
MOX-SPI-0704-390M	39.0	20% (M)	230	0.95	1 KHz/1V
MOX-SPI-0704-470M	47.0	20% (M)	260	0.91	1 KHz/1V
MOX-SPI-0704-560M	56.0	20% (M)	350	0.78	1 KHz/1V
MOX-SPI-0704-680M	68.0	20% (M)	380	0.74	1 KHz/1V
MOX-SPI-0704-820M	82.0	20% (M)	430	0.63	1 KHz/1V
MOX-SPI-0704-101M	100.0	20% (M)	610	0.62	1 KHz/1V
MOX-SPI-0704-121M	120.0	20% (M)	660	0.56	1 KHz/1V
MOX-SPI-0704-151M	150.0	20% (M)	880	0.48	1 KHz/1V
MOX-SPI-0704-181M	180.0	20% (M)	980	0.45	1 KHz/1V
MOX-SPI-0704-221M	220.0	20% (M)	1170	0.38	1 KHz/1V
MOX-SPI-0704-271M	270.0	20% (M)	1640	0.36	1 KHz/1V
MOX-SPI-0704-331M	330.0	20% (M)	1860	0.35	1 KHz/1V
MOX-SPI-0704-391M	390.0	20% (M)	2850	0.32	1 KHz/1V
MOX-SPI-0704-471M	470.0	20% (M)	3010	0.28	1 KHz/1V
MOX-SPI-0704-561M	560.0	20% (M)	3620	0.25	1 KHz/1V
MOX-SPI-0704-681M	680.0	20% (M)	4630	0.24	1 KHz/1V
MOX-SPI-0704-821M	820.0	20% (M)	5200	0.22	1 KHz/1V
MOX-SPI-0704-102M	1000.0	20% (M)	6000	0.20	1 KHz/1V



MOX-SPI-0704 ENGINEERING NOTES

- Measuring Frequency (L) 1 kHz/1V
- Available Tolerances: K = ±10%, M= ±20%, N= ±30%
- DC current at which the inductance drops 35% (typical) from its value without current.
- Temperature rise of 40°C maximum.
- MoxiE Inductor Corporation specifications are subject to change without notice.