

MOX-VTIL-5565 SERIES

VERTICAL MOUNT TOROID INDUCTORS

MoxiE
INDUCTOR CORPORATION



Features:

- Low cost.
- Vertical mounting.
- Reinforced L-pin base to prevent lead shearing.
- Low core loss.
- Horizontal mounting available.
- Encapsulation available.
- MoxiE custom designs available.

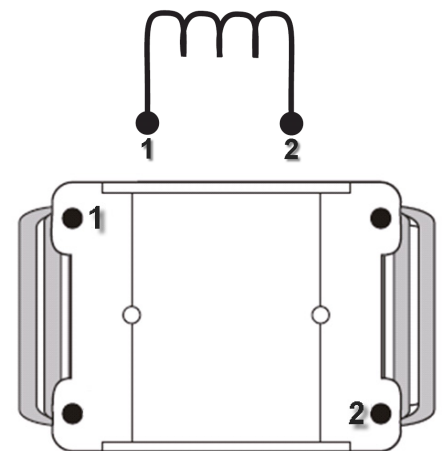
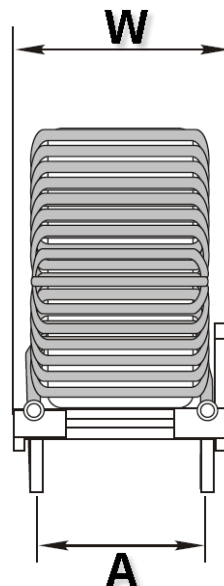
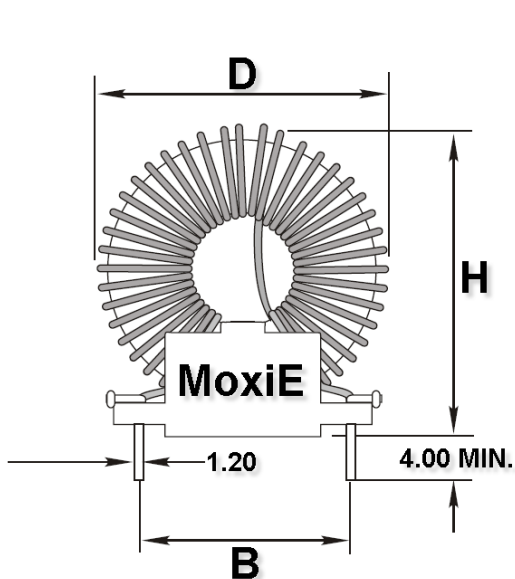


DIMENSIONS (mm)

| A | B | D | H | W |
|------------|------------|------------|------------|------------|
| 17.78 ±0.5 | 30.48 ±0.5 | 64.50 MAX. | 55.88 MAX. | 25.40 ±0.5 |



MECHANICAL



MATERIAL: 94 VO CLASS B

MOX-VTIL-5565 SERIES

VERTICAL MOUNT TOROID INDUCTORS



ELECTRICAL SPECIFICATIONS

| MoxiE Part Number | L @ 0 Amps D.C. (μH) ±20% | Max RDC. (Ω) | Suggested Rated Current (Amps) | 0% L Drop (DC Amps) | 10% L Drop (DC Amps) | 20% L Drop (DC Amps) | 30% L Drop (DC Amps) | 40% L Drop (DC Amps) | 50% L Drop (DC Amps) |
|--------------------|---------------------------|--------------|--------------------------------|---------------------|----------------------|----------------------|----------------------|----------------------|----------------------|
| MOX-VTIL-4445-1R5M | 1.5 | .004 | 9.5 | 8.6 | 23.7 | 39.2 | 54.9 | 73.2 | 96.3 |
| MOX-VTIL-4445-2R2M | 2.2 | .004 | 9.5 | 6.4 | 17.7 | 29.4 | 41.1 | 54.9 | 72.2 |
| MOX-VTIL-4445-3R3M | 3.3 | .005 | 9.5 | 5.1 | 14.1 | 23.6 | 32.9 | 43.9 | 57.8 |
| MOX-VTIL-4445-5R6M | 5.6 | .005 | 9.5 | 4.2 | 11.8 | 19.6 | 27.5 | 36.6 | 48.2 |
| MOX-VTIL-4445-6R8M | 6.8 | .006 | 9.5 | 3.6 | 10.1 | 16.8 | 23.5 | 31.4 | 41.2 |
| MOX-VTIL-4445-100M | 10 | .007 | 9.5 | 2.8 | 7.8 | 13.1 | 18.3 | 24.4 | 32.1 |
| MOX-VTIL-4445-120M | 12 | .008 | 9 | 2.6 | 7.1 | 11.8 | 16.5 | 22.0 | 28.9 |
| MOX-VTIL-4445-150M | 15 | .008 | 9 | 2.3 | 6.5 | 9.9 | 14.9 | 19.9 | 26.1 |
| MOX-VTIL-4445-180M | 18 | .010 | 9 | 2.1 | 5.9 | 9.8 | 13.7 | 18.3 | 24.0 |
| MOX-VTIL-4445-220M | 22 | .011 | 9 | 1.9 | 5.5 | 9.0 | 12.6 | 16.8 | 22.1 |
| MOX-VTIL-4445-270M | 27 | .012 | 9 | 1.7 | 4.7 | 7.8 | 11.0 | 14.6 | 19.3 |
| MOX-VTIL-4445-330M | 33 | .013 | 9 | 1.5 | 4.4 | 7.3 | 10.3 | 13.7 | 18.0 |
| MOX-VTIL-4445-390M | 39 | .015 | 9 | 1.4 | 3.9 | 6.5 | 9.1 | 12.2 | 16.0 |
| MOX-VTIL-4445-470M | 47 | .016 | 9 | 1.3 | 3.6 | 5.9 | 8.2 | 11.0 | 14.4 |
| MOX-VTIL-4445-560M | 56 | .018 | 9 | 1.1 | 3.2 | 5.3 | 7.5 | 9.9 | 13.1 |
| MOX-VTIL-4445-680M | 68 | .019 | 9 | .99 | 3.0 | 4.9 | 6.8 | 9.1 | 12.0 |
| MOX-VTIL-4445-820M | 82 | .021 | 9 | .90 | 2.7 | 4.5 | 6.3 | 8.4 | 11.1 |
| MOX-VTIL-4445-101M | 100 | .023 | 9 | .88 | 2.4 | 4.1 | 5.7 | 7.6 | 9.9 |
| MOX-VTIL-4445-121M | 120 | .026 | 9 | .80 | 2.2 | 3.6 | 5.1 | 6.8 | 9.3 |
| MOX-VTIL-4445-151M | 150 | .028 | 9 | .73 | 2.0 | 3.3 | 4.7 | 6.2 | 8.2 |
| MOX-VTIL-4445-181M | 180 | .031 | 9 | .68 | 1.9 | 3.1 | 4.3 | 5.8 | 7.6 |
| MOX-VTIL-4445-221M | 220 | .034 | 9 | .58 | 1.6 | 2.6 | 3.7 | 5.0 | 6.5 |
| MOX-VTIL-4445-271M | 270 | .038 | 9 | .55 | 1.5 | 2.5 | 3.5 | 4.8 | 6.2 |
| MOX-VTIL-4445-331M | 330 | .042 | 9 | .50 | 1.4 | 2.3 | 3.2 | 4.3 | 5.7 |
| MOX-VTIL-4445-391M | 390 | .056 | 7 | .47 | 1.3 | 2.1 | 3.0 | 4.0 | 5.3 |
| MOX-VTIL-4445-471M | 470 | .068 | 7 | .43 | 1.2 | 2.0 | 2.8 | 3.7 | 4.8 |
| MOX-VTIL-4445-561M | 560 | .074 | 7 | .38 | 1.0 | 1.7 | 2.4 | 3.2 | 4.3 |
| MOX-VTIL-4445-681M | 680 | .094 | 5 | .34 | .93 | 1.6 | 2.2 | 2.9 | 3.8 |
| MOX-VTIL-4445-821M | 820 | .163 | 3.5 | .31 | .86 | 1.4 | 2.0 | 2.7 | 3.5 |
| MOX-VTIL-4445-102M | 1000 | .190 | 3.5 | .27 | .75 | 1.2 | 1.7 | 2.3 | 3.0 |
| MOX-VTIL-4445-122M | 1200 | .200 | 3.5 | .25 | .68 | 1.1 | 1.6 | 2.1 | 2.8 |
| MOX-VTIL-4445-152M | 1500 | .220 | 3.5 | .22 | .61 | 1.0 | 1.4 | 1.9 | 2.5 |
| MOX-VTIL-4445-182M | 1800 | .242 | 3.5 | .21 | .57 | .94 | 1.3 | 1.8 | 2.3 |
| MOX-VTIL-4445-222M | 2200 | .430 | 2.0 | .18 | .49 | .81 | 1.1 | 1.5 | 2.0 |
| MOX-VTIL-4445-272M | 2700 | .460 | 2.0 | .16 | .45 | .76 | 1.1 | 1.4 | 1.9 |
| MOX-VTIL-4445-332M | 3300 | .550 | 2.0 | .15 | .41 | .69 | .96 | 1.3 | 1.7 |
| MOX-VTIL-4445-392M | 3900 | .570 | 2.0 | .14 | .38 | .63 | .87 | 1.2 | 1.5 |

MOXIE ENGINEERING NOTES:

- Leads for PC mounting are tinned to within 16mm (1/16") of body
- RDC is measured at 20°C.
- Saturation currents shown are for maximum drop of L indicated.
- RoHS compliant.
- MoxiE Inductor Corporation specifications are subject to change without notice.
- MoxiE Inductor Corporation custom designed products are subject to United States copyright and or United States patent protection(s).