

# MOX-VTI SERIES

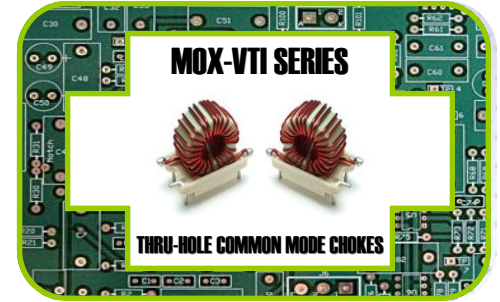


## THRU-HOLE VERTICAL COMMON MODE CHOKES

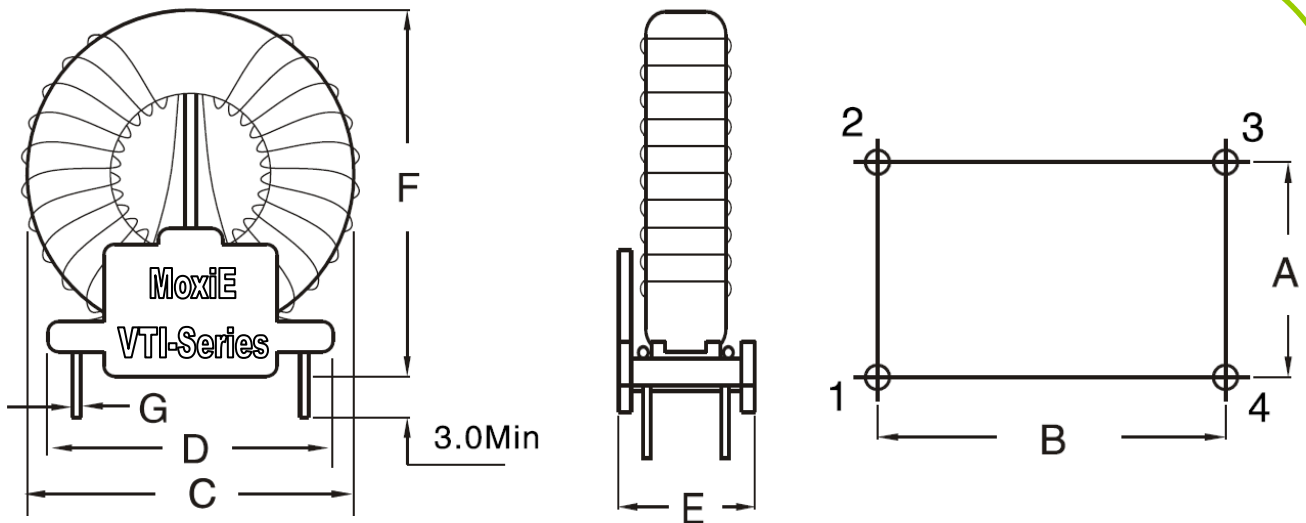
MoxiE's MOX-VTI series of common mode chokes offers a reinforced epoxy construction with industrial grade L-pin mounting that provides excellent mechanical strength, high reliability and low resistance.

### FEATURES:

- Low cost.
- Operating temperature: -40°C to +105°C.
- Storage temperature: -40°C to +105°C.
- RoHS compliant.
- Low resistance & temperature rise.
- MoxiE custom designs available.



## MECHANICAL DIMENSIONS

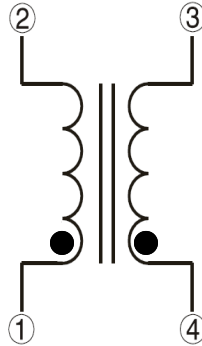


MoxiE Part Number	A (mm)	B (mm)	C (mm)	D (mm)	E (mm)	F (mm)	G (mm)
MOX-VTI-1012	10.16	20.32	34.30	25.40	17.78	31.52	1.20
MOX-VTI-1522	15.24	22.86	36.83	27.94	22.86	33.50	1.20
MOX-VTI-1730	17.78	30.48	44.45	35.56	25.40	44.70	1.20
MOX-VTI-2238	22.86	38.10	52.07	43.18	30.48	58.00	1.20

**MoxiE Custom Designs Available.**



## SCHEMATIC



## ELECTRICAL SPECIFICATIONS

MoxiE Part Number	Inductance (mH) Min.	Rated RMS Current (Amps)	DCR Each Winding ( $\Omega$ Max.)	Leakage ( $\mu$ H) Typical
MOX-VTI-1012-1R0	1.0	15.0	0.010	12
MOX-VTI-1012-2R0	2.0	9.0	0.020	25
MOX-VTI-1012-3R0	3.0	6.0	0.030	35
MOX-VTI-1012-4R0	4.0	3.5	0.040	45
MOX-VTI-1012-8R0	8.0	2.5	0.120	90
MOX-VTI-1012-100	10.0	2.2	0.240	130
MOX-VTI-1012-160	16.0	1.5	0.320	180
MOX-VTI-1522-1R2	1.2	15	0.010	12
MOX-VTI-1522-2R0	2.0	8.7	0.020	25
MOX-VTI-1522-3R0	3.0	6.5	0.054	35
MOX-VTI-1522-4R0	4.0	5.4	0.105	45
MOX-VTI-1522-8R0	8.0	3.5	0.143	85
MOX-VTI-1522-100	10.0	3.0	0.35	130
MOX-VTI-1522-160	16.0	2.2	0.40	180

MoxiE Part Number	Inductance (mH) Min.	Rated RMS Current (Amps)	DCR Each Winding ( $\Omega$ Max.)	Leakage ( $\mu$ H) Typical
MOX-VTI-1730-3R0	3.0	15	0.009	20
MOX-VTI-1730-5R0	5.0	12	0.035	50
MOX-VTI-1730-120	12.0	6.8	0.098	95
MOX-VTI-1730-150	15.0	4.2	0.132	150
MOX-VTI-1730-220	22.0	3.2	0.352	280
MOX-VTI-1730-330	33.0	2.0	0.730	300
MOX-VTI-1730-560	56.0	1.8	1.0	550
MOX-VTI-2238-6R0	6.0	18	0.028	100
MOX-VTI-2238-100	10.0	15	0.033	120
MOX-VTI-2238-150	15.0	9.0	0.060	180
MOX-VTI-2238-220	22.0	6.0	0.117	180
MOX-VTI-2238-330	33.0	4.2	0.124	450
MOX-VTI-2238-720	72.0	2.6	0.50	600
MOX-VTI-2238-121	120.0	1.5	1.15	900



## ENGINEERING NOTES

- Inductance tolerance in +50% -30%
- Maximum operating voltage: 250V @ 40°C.
- IDC Maximum rating: AC/DC current A @ 40°C.
- Hi-Pot 2500 Vac winding to winding 3S.
- Inductance testing: 10KHz 0.1V on a HP4284A.
- RDC testing: QuadTech 1880 Milliohmmer.
- Surge current maximum: 10ms: 20X IDC.
- Resistance to soldering heat: 260°C for 10 seconds.
- Marking: MoxiE part number & date code.
- Operating temperature: -40°C to 105°C. (storage temperature -40°C to 105°C)
- RoHS compliant.
- MoxiE custom designs subject to U.S. patent and or copyright protection.
- MoxiE Inductor Corporation specifications are subject to change without notice.