

# MOX-MOX-VTI-LM26

MoxiE<sup>®</sup>  
INDUCTOR CORPORATION

**VERTICAL MOUNT TOROID POWER INDUCTOR  
DESIGNED FOR NATIONAL'S 260kHz SIMPLE SWITCHER™**

- MEETS UL 94V-0 FLAMMABILITY REQUIREMENTS.
- OPERATING TEMPERATURE RANGE: -40°C TO +130°C.
- RoHS COMPLIANT.
- SINGLE LAYER CONSTRUCTION PROVIDES HIGH SRF.
- VERTICAL MOUNT PACKAGE OFFERS ROBUST MOUNTING.

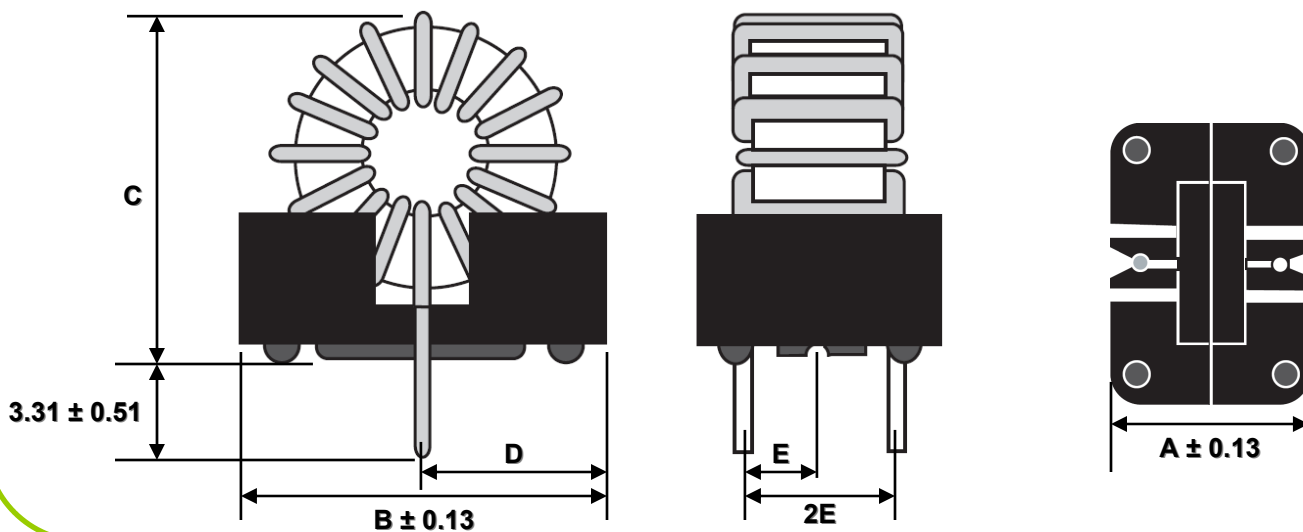


## PART NUMBER

MoxiE Part Number	A (mm)	B (mm)	C (mm)	D (mm)	E (mm)
MOX-VTI-LM26	11.43	21.09	24.13 MAX.	10.55 TYP.	3.81 TYP.



## MECHANICAL DIMENSIONS (mm)



# MOX-MOX-VTI-LM26



**VERTICAL MOUNT TOROID POWER INDUCTOR**

**DESIGNED FOR NATIONAL'S 260kHz SIMPLE SWITCHER™**



## ELECTRICAL SPECIFICATIONS @ 25°C

MoxiE Part Number	National Part Number	Nominal Inductance <sup>1</sup> (μH)	Rated Current (A <sub>DC</sub> )	Max E <sub>Top</sub> <sup>1</sup> (V-μSec)	Nominal DCR (Ω)	Operating Temperature
MOX-VTI-LM26-41	LM267X-L41	22.80	4.90	23.30	0.36	-40°C to +130°C
MOX-VTI-LM26-45	LM267X-L45	10.20	4.30	10.00	0.26	-40°C to +130°C
MOX-VTI-LM26-46	LM267X-L46	14.80	5.00	17.00	0.23	-40°C to +130°C
MOX-VTI-LM26-47	LM267X-L47	10.00	5.00	13.00	0.25	-40°C to +130°C
MOX-VTI-LM26-48	LM267X-L48	50.00	5.00	40.00	0.50	-40°C to +130°C
MOX-VTI-LM26-49	LM267X-L49	33.00	5.00	36.00	0.47	-40°C to +130°C
MOX-VTI-LM26-50	LM267X-L50	23.00	5.00	24.00	0.26	-40°C to +130°C



## ENGINEERING DATA

- <sup>1</sup>E<sub>Top</sub> rated at 260kHz.
- RoHS compliant.
- <sup>1</sup>Inductance values may vary ±20%.
- All electrical specifications are at 25°C.
- Simple Switcher™ is a trademark of National Semiconductor Corporation.
- The temperature of the component must be within the stated operating temperature range.
- MoxiE recommends using an actual sample for PC board layout and thru-hole diameter.
- MoxiE Inductor Corporation specifications are subject to change without notice.
- MoxiE Inductor Corporation custom designed products are subject to United States Copyright and or patent protection(s).