

# MOX-UPI-0402 SERIES

MoxiE's UPI-0402 surface mount power inductors are engineered for the stringent high current requirements of step up and step down transformers, notebook computers and various other handheld devices. MoxiE offers a unique industrial design to meet the most robust applications. The MOX-UPI-0402 is available in a wide range of inductance values to meet your design requirements.

**Features:**

- RoHS compliant.
- High current ratings.
- Low cost.
- MoxiE custom designs available.



## NOTES

---

---

---

---

---

---

---

---

---

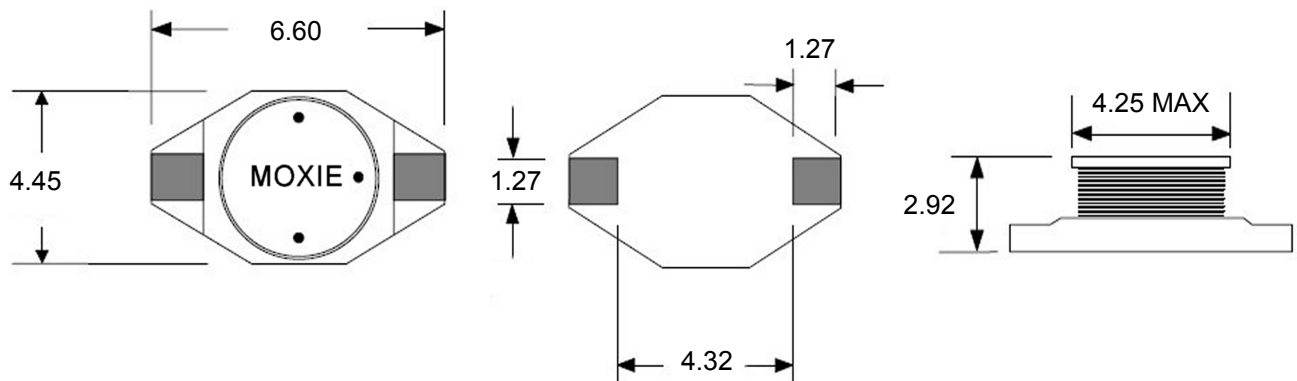
---

---

---



## MECHANICAL DIMENSIONS





## ELECTRICAL SPECIFICATIONS

MoxiE Part Number	Available Tolerances	Inductance (uH)	Test Freq. (kHz)	SRF (MHz)	DC Resistance ± 15% (Ω)	Isat <sup>1</sup> (A)	I <sub>rms</sub> <sup>2</sup> (A)
MOX-UPI-0402-1R0M	20% (M)	1.0	100 KHz,0.1 V	130	0.05	2.90	2.90
MOX-UPI-0402-1R5M	20% (M)	1.5	100 KHz,0.1 V	115	0.05	2.60	2.80
MOX-UPI-0402-2R2M	20% (M)	2.2	100 KHz,0.1 V	90	0.07	2.30	2.40
MOX-UPI-0402-3R3M	20% (M)	3.3	100 KHz,0.1 V	70	0.08	2.00	2.00
MOX-UPI-0402-4R7M	20% (M)	4.7	100 KHz,0.1 V	50	0.09	1.50	1.50
MOX-UPI-0402-6R8M	20% (M)	6.8	100 KHz,0.1 V	45	0.13	1.20	1.40
MOX-UPI-0402-100M	20% (M)	10.0	100 KHz,0.1 V	35	0.16	1.10	1.10
MOX-UPI-0402-150M	20% (M)	15.0	100 KHz,0.1 V	30	0.23	0.90	1.20
MOX-UPI-0402-220M	20% (M)	22.0	100 KHz,0.1 V	20	0.37	0.70	0.80
MOX-UPI-0402-330M	20% (M)	33.0	100 KHz,0.1 V	15	0.51	0.58	0.60
MOX-UPI-0402-470M	20% (M)	47.0	100 KHz,0.1 V	14	0.64	0.50	0.50
MOX-UPI-0402-680M	20% (M)	68.0	100 KHz,0.1 V	11	0.86	0.40	0.40
MOX-UPI-0402-101M	20% (M)	100.0	100 KHz,0.1 V	9	1.27	0.31	0.30
MOX-UPI-0402-151M	20% (M)	150.0	100 KHz,0.1 V	6	2.00	0.27	0.25
MOX-UPI-0402-221M	20% (M)	220.0	100 KHz,0.1 V	5.5	3.11	0.22	0.20
MOX-UPI-0402-331M	20% (M)	330.0	100 KHz,0.1 V	5	3.80	0.18	0.16
MOX-UPI-0402-471M	20% (M)	470.0	100 KHz,0.1 V	4	5.06	0.16	0.15
MOX-UPI-0402-681M	20% (M)	680.0	100 KHz,0.1 V	3	9.20	0.14	0.12
MOX-UPI-0402-102M	20% (M)	1000.0	100 KHz,0.1 V	2	13.80	0.10	0.07



## ENGINEERING DATA

- <sup>1</sup>DC current at which the inductance drops 10% (typ) from its value without current.
- <sup>2</sup>Average current for 15°C rise above 25°C ambient.
- Operating temperature range –40°C to +85°C.
- All electrical specifications are at 25°C.
- Inductance measured with zero DC current.
- RoHS Compliant.
- MoxiE Inductor Corporation specifications are subject to change without notice.