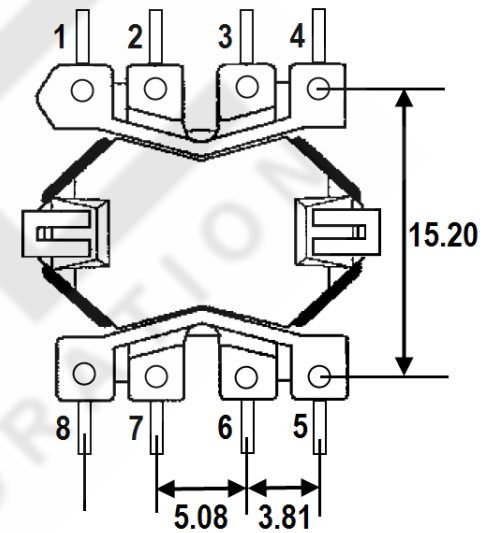
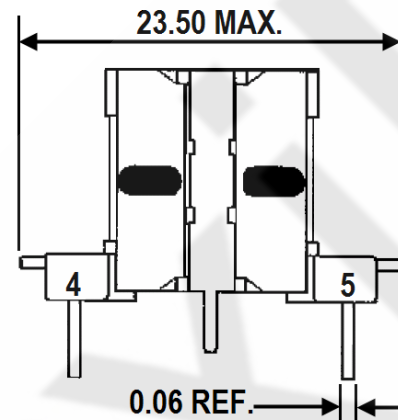
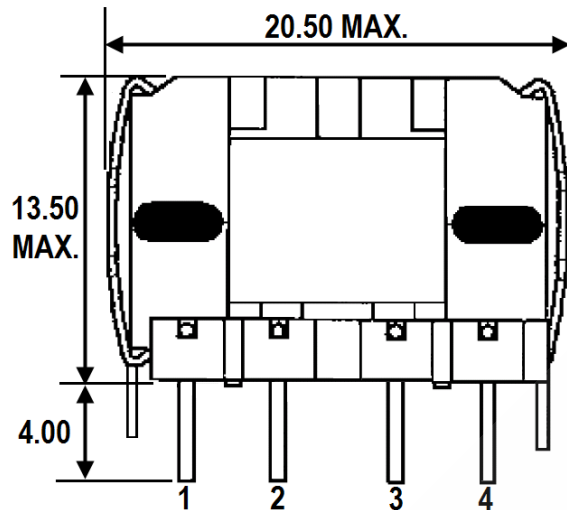


## MECHANICAL



### MOXIE NOTES:

- OPERATING TEMPERATURE: -40°C TO +105°C.
- INSULATION CLASS: B (RATED TO +130°C).
- BOBBIN MATERIAL: HIGH TEMPERATURE PHENOLIC.
- CORE MATERIAL: RM5.
- WIRE MATERIAL: POLYURETHANE DD (2UEW).
- EXPOXY: 9001A/B.
- CLIP: RM5.
- MOXIE INDUCTOR CORPORATION SPECIFICATIONS SUBJECT TO CHANGE WITHOUT NOTICE.
- MOXIE INDUCTOR CORPORATION CUSTOM DESIGNS ARE SUBJECT TO UNITED STATES PATENT AND OR COPYRIGHT PROTECTION(S).

### MOXIE INDUCTOR CORPORATION

(888)535.5207 WWW.MOXIEINDUCTORS.COM

THRU-HOLE HIGH FREQUENCY TRANSFORMER

MOXIE CUSTOM DESIGNS AVAILABLE

MOXIE PART NUMBER: MOX-TRFH-2023

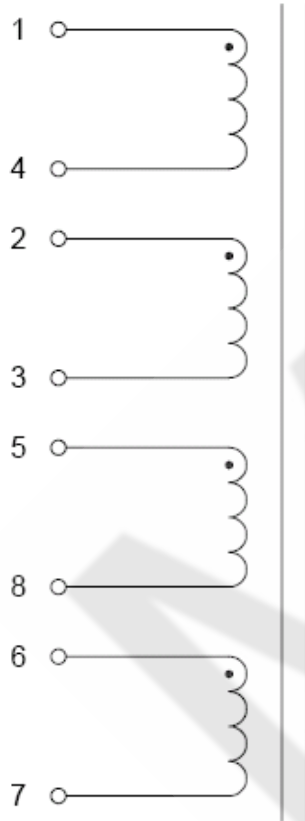
PAGE 1/2

REV. A

DWG NO: MOXTRFH2023

# ELECTRICAL

MOXIE PART NUMBER	INDUCTANCE (L)	TEST FREQUENCY	DCR @ 25°C
MOX-TRFH-1916	L: (1~4) = 2.40μH~2.8μH	10KHz @ 0.02V	(1~4) TIE: 2.3 = 26mΩ MAX.
	L: (2~3) = 2.40μH~2.8μH	10KHz @ 0.02V	(5~7) TIE: 6.8 = 32mΩ MAX.
	L: (5~8) = 2.40μH~2.8μH	10KHz @ 0.02V	
	L: (6~7) = 2.40μH~2.8μH	10KHz @ 0.02V	



## MOXIE INDUCTOR CORPORATION

(888)535.5207 WWW.MOXIEINDUCTORS.COM

SURFACE MOUNT HIGH FREQUENCY TRANSFORMER

MOXIE CUSTOM DESIGNS AVAILABLE

MOXIE PART NUMBER: MOX-TRFH-1916

PAGE 2/2

REV. A

DWG NO: MOXTRFH1916