

MOX-CMCS-SERIES

MoxiE[®]
INDUCTOR CORPORATION

Surface Mount Common Mode Chokes

MoxiE's MOX-CMCS series of surface mount common mode chokes are widely used in cable modems, notebooks, LCD televisions and digital cameras. The wire wound design provides a low DC resistance and high current tolerance.

Features:

- Epoxy coated and shielded versions available.
- Available in 0805 and 1206 package types.
- Operating temperature: -40°C to +85°C.
- Excellent solderability & resistance to soldering heat.
- RoHS compliant.



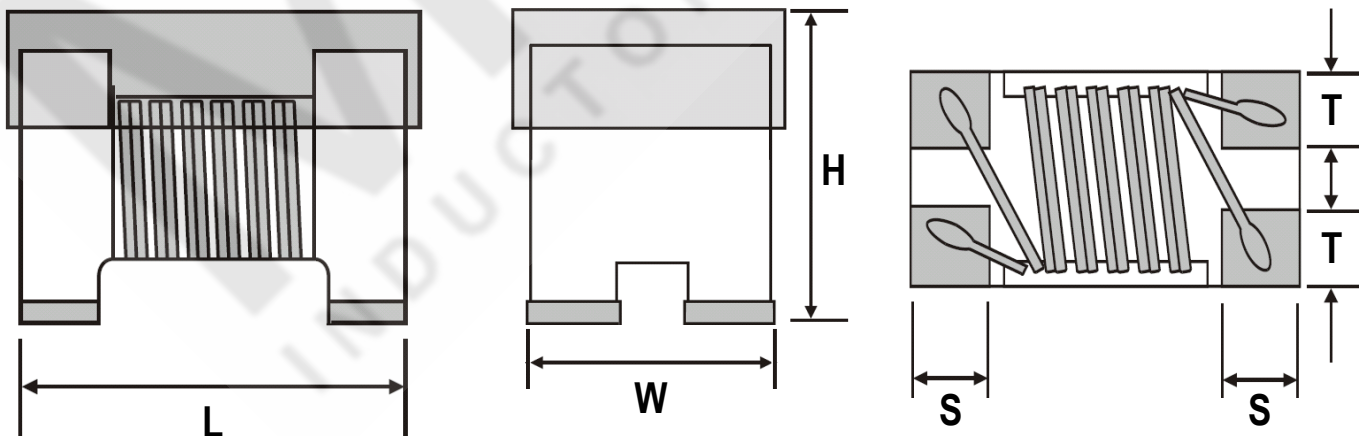
PART NUMBERS

MOXIE PART NUMBER	L (LENGTH)	W (WIDTH)	H (THICKNESS)	S (TERMINAL)	T (TERMINAL)
MOX-CMCS-0805E	2.00 ± 0.10	1.20 ± 0.10	1.00 ± 0.10	0.45 ± 0.10	0.45 ± 0.10
MOX-CMCS-0805S	2.00 ± 0.10	1.20 ± 0.10	1.00 ± 0.10	0.45 ± 0.10	0.45 ± 0.10
MOX-CMCS-1206S	3.20 ± 0.10	1.60 ± 0.10	1.90 ± 0.10	0.60 ± 0.30	0.60 ± 0.30

MATERIAL TYPE: S= MAGNETICALLY SHIELDED, E= EPOXY COATED



MECHANICAL DIMENSIONS



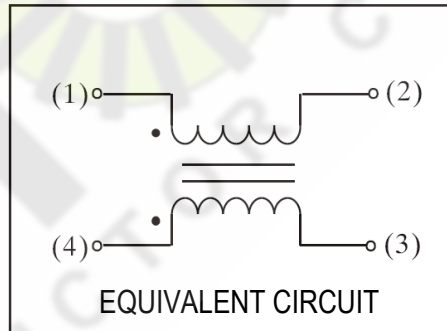
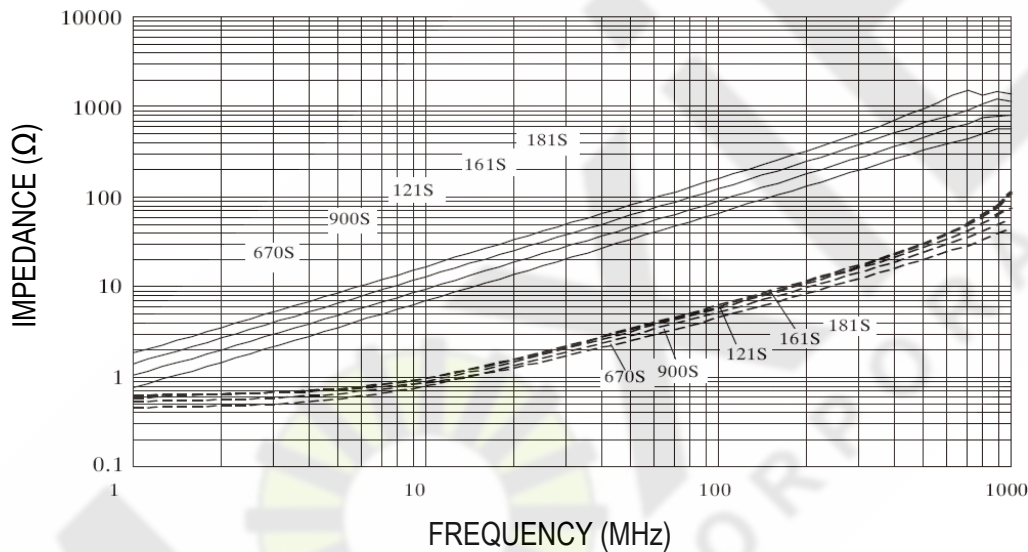
MOX-CMCS-SERIES



MOX-CMCS-0805E SPECIFICATIONS

MoxiE Part Number	Common Mode Impedance ¹ @ 100 MHz (Ω)	Rated Voltage V (DC)	Withstanding Voltage V (DC)	Rated Current ² (mA) Max.	DC Resistance (Ω) Max.	Insulation Resistance (mΩ) Max.
MOX-CMCS-0805E-670S	67.0	50.0	125.0	330.0	0.35	10.0
MOX-CMCS-0805E-900S	90.0	50.0	125.0	300.0	0.40	10.0
MOX-CMCS-0805E-121S	120.0	50.0	125.0	280.0	0.45	10.0
MOX-CMCS-0805E-181S	180.0	50.0	125.0	250.0	0.50	10.0

Z vs FREQUENCY PLOT



MOXIE NOTES:

- ¹IMPEDANCE MEASURED ON A HP4287A
- ²FOR 15°C TEMPERATURE RISE.
- TOLERANCES: S = ±25%, T = ±30%
- MOXIE INDUCTOR CORPORATION SPECIFICATOINS ARE SUBJECT TO CHANGE WITHOUT NOTICE.

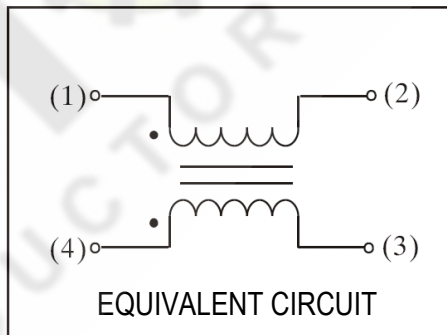
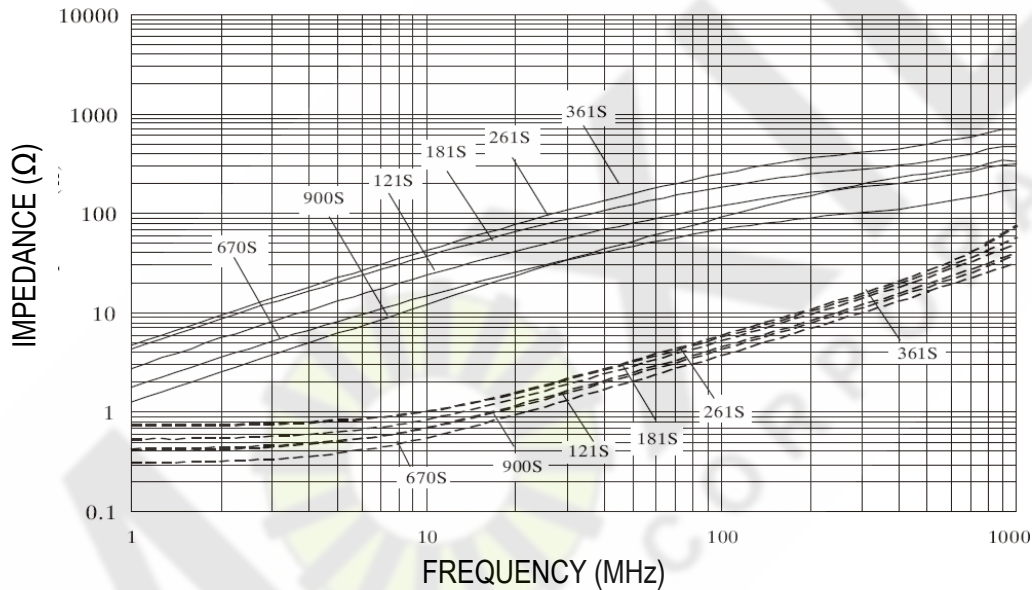
MOX-CMCS-SERIES



MOX-CMCS-0805S SPECIFICATIONS

MoxiE Part Number	Common Mode Impedance ¹ @ 100 MHz (Ω)	Rated Voltage V (DC)	Withstanding Voltage V (DC)	Rated Current ² (mA) Max.	DC Resistance (Ω) Max.	Insulation Resistance (mΩ) Max.
MOX-CMCS-0805S-670S	67.0	50.0	125.0	400.0	0.25	10.0
MOX-CMCS-0805S-900S	90.0	50.0	125.0	330.0	0.35	10.0
MOX-CMCS-0805S-121S	120.0	50.0	125.0	370.0	0.30	10.0
MOX-CMCS-0805S-181S	180.0	50.0	125.0	330.0	0.35	10.0
MOX-CMCS-0805S-261S	260.0	50.0	125.0	300.0	0.40	10.0
MOX-CMCS-0805S-361S	360.0	50.0	125.0	280.0	0.45	10.0

Z vs FREQUENCY PLOT



MOXIE NOTES:

- ¹IMPEDANCE MEASURED ON A HP4287A
- ²FOR 15°C TEMPERATURE RISE.
- TOLERANCES: S = ±25%, T = ±30%
- MOXIE INDUCTOR CORPORATION SPECIFICATOINS ARE SUBJECT TO CHANGE WITHOUT NOTICE.

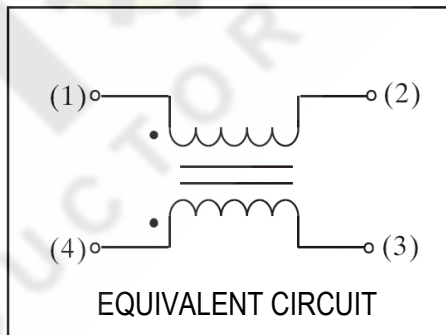
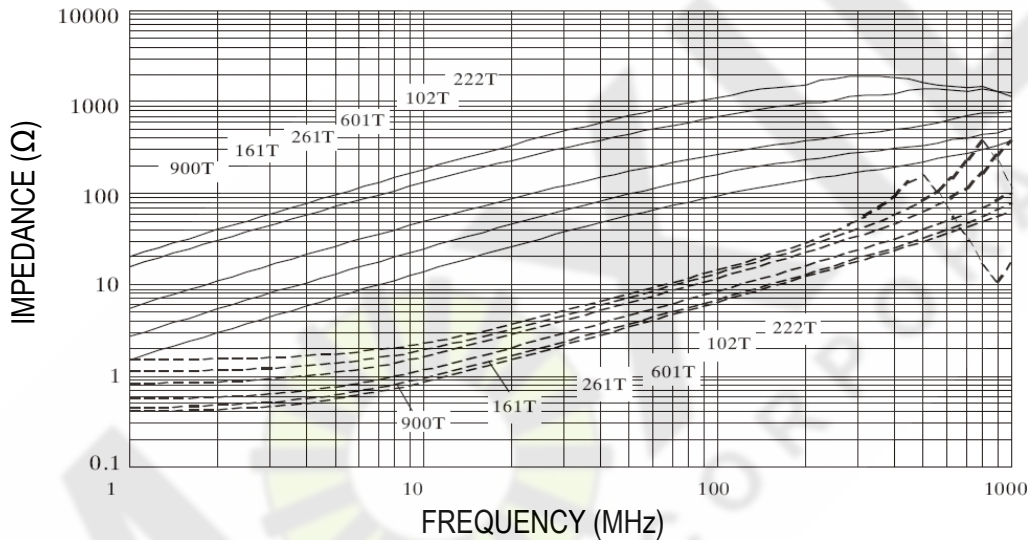
MOX-CMCS-SERIES



MOX-CMCS-1206S SPECIFICATIONS

MoxiE Part Number	Common Mode Impedance ¹ @ 100 MHz (Ω)	Rated Voltage V (DC)	Withstanding Voltage V (DC)	Rated Current ² (mA) Max.	DC Resistance (Ω) Max.	Insulation Resistance (mΩ) Max.
MOX-CMCS-1206S-670T	90.0	50.0	125.0	370.0	0.30	10.0
MOX-CMCS-1206S-900T	160.0	50.0	125.0	340.0	0.40	10.0
MOX-CMCS-1206S-121T	260.0	50.0	125.0	310.0	0.50	10.0
MOX-CMCS-1206S-181T	600.0	50.0	125.0	260.0	0.80	10.0
MOX-CMCS-1206S-261T	1000.0	50.0	125.0	230.0	1.00	10.0
MOX-CMCS-1206S-361T	2200.0	50.0	125.0	200.0	1.20	10.0

Z vs FREQUENCY PLOT



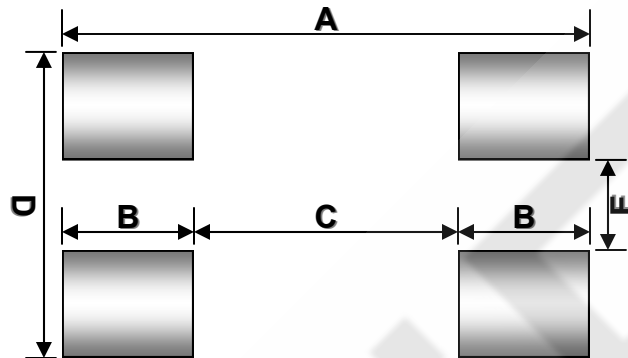
MOXIE NOTES:

- ¹IMPEDANCE MEASURED ON A HP4287A
- ²FOR 15°C TEMPERATURE RISE.
- TOLERANCES: S = ±25%, T = ±30%
- MOXIE INDUCTOR CORPORATION SPECIFICATOINS ARE SUBJECT TO CHANGE WITHOUT NOTICE.

MOX-CMCS-SERIES



LANDING PATTERN



MOXIE PART NUMBER	A	B	C	D	E
MOX-CMCS-0805H	2.00	0.90	0.80	1.40	0.40
MOX-CMCS-0805S	2.00	0.90	0.80	1.40	0.40
MOX-CMCS-1206S	3.80	1.10	1.60	1.60	0.40



PACKAGING

MOXIE PART NUMBER	PACKAGING	QUANTITY PER REEL
MOX-CMCS-0805H	TAPE & REEL	2000
MOX-CMCS-0805S	TAPE & REEL	2000
MOX-CMCS-1206S	TAPE & REEL	2000

