

# MOX-ANTL SERIES



**MoxiE**  
INDUCTOR CORPORATION

## Low Temperature Cofired Ceramic Antenna

### Features:

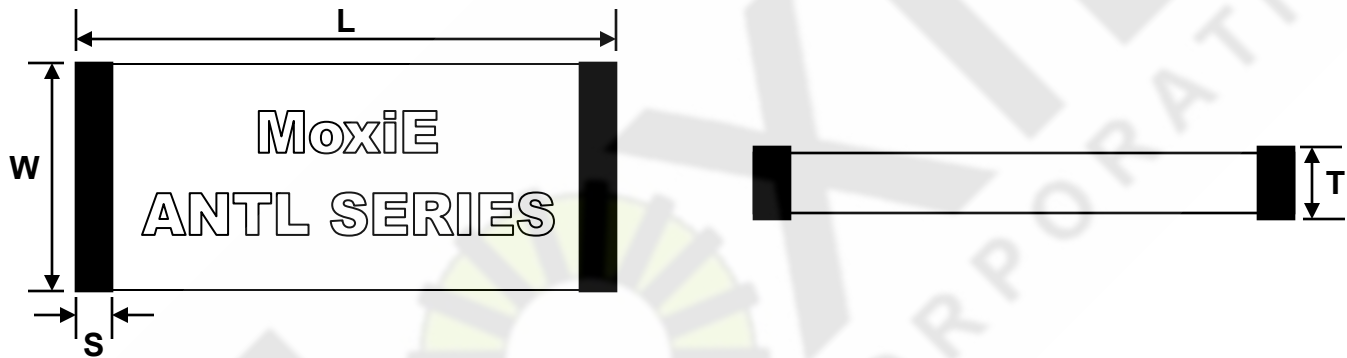
- Miniaturized design.
- Low Cost.
- RoHS Compliant.

### Applications:

- 2.4 GHz WLAN.
- Bluetooth.
- Home RF.



## MECHANICAL DIMENSIONS



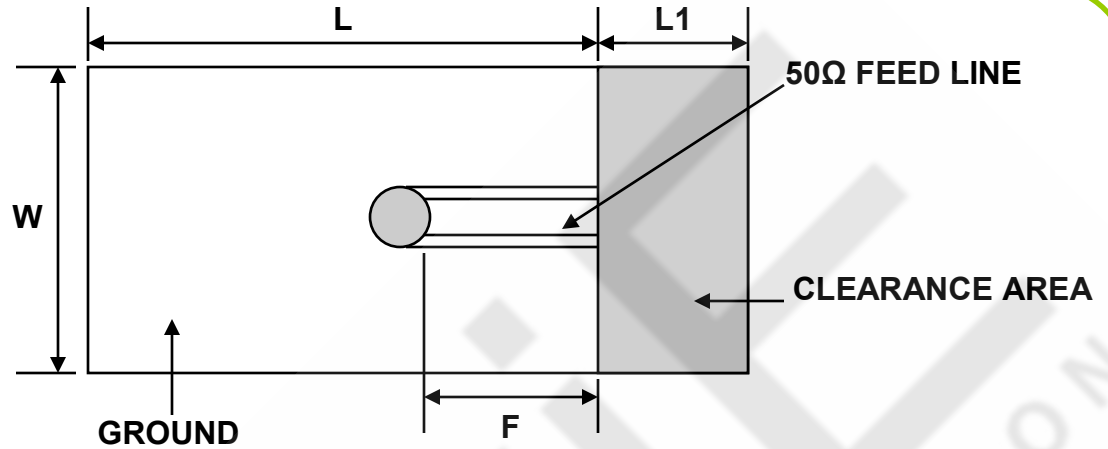
MoxiE Part Number	L	W	T	S	F	N
MOX-ANTL-3216	3.2 ± 0.1	1.6 ± 0.1	1.2 ± 0.1	0.3 ± 0.1	FEED TERMINAL	SOLDER TERMINAL
MOX-ANTL-5320	5.3 ± 0.1	2.0 ± 0.1	1.2 ± 0.1	0.3 ± 0.1	FEED TERMINAL	SOLDER TERMINAL

ALL DIMENSIONS IN MM



## RECOMMENDED PATTERN

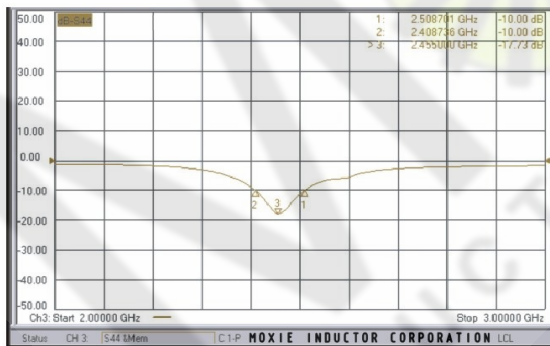
L	W	F	L1
40 ± 0.1	20 ± 0.1	19 ± 0.1	7.9 ± 0.1



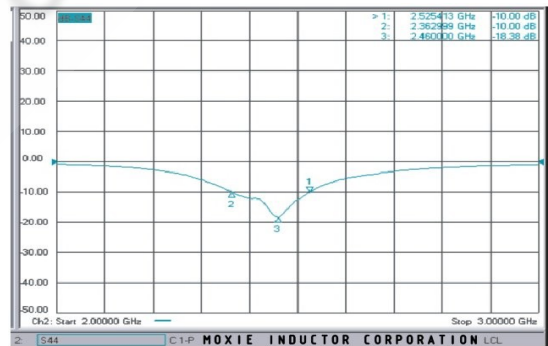
## ELECTRICAL SPECIFICATIONS

MoxiE Part Number	Central Frequency (GHz)	Frequency Range (GHz)	Impedance ( $\Omega$ )	Gain (dB)	VSWR	Polarization	Azimuth Bandwidth
MOX-ANTL-3216	2.45	2.4 ~ 2.5	50	0 ~ 1	2	Linear	omni-directional
MOX-ANTL-5320	2.45	2.4 ~ 2.5	50	0 ~ 2	2	Linear	omni-directional

MOX-ANTL-3216



MOX-ANTL-5320



## MOX-ANTL ENGINEERING NOTES

- MoxiE test instruments: Agilent E5071B/N5230A vector network analyzer.
- Packaging: Tape & Reel (1000 pieces per reel)
- RoHS Compliant.
- MoxiE engineering specifications are subject to change without notice.