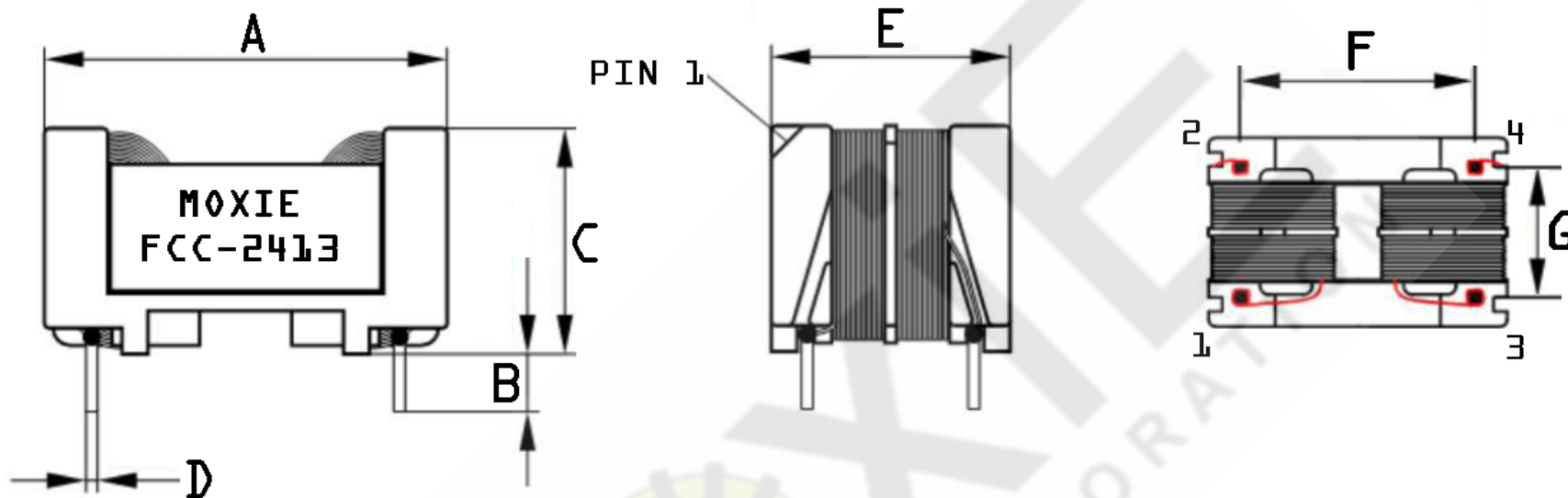


MECHANICAL (mm)



A	B	C	D	E	F	G
24.50 MAX.	3.50±0.50	13.50 MAX.	0.70±0.05	14.50 MAX.	18.75±0.50	10.00±0.50

MOXIE NOTES:

- Current-compensated frame core double choke.
- High inductance with low resistance.
- RoHS Compliant.
- Rated Current: 0.29-2.93A.
- Insulation voltage: 1500VAC, 2S(line-line)
- Rated voltage: 250VAC maximum @ 40°C.
- Operating temperature range: -25°C to +85°C.
- Storage temperature range: -40°C to +85°C.
- Packaging: Bulk or Tray.
- MoxiE Inductor Corporation custom designs are subject to United States copyright and or patent protection(s).
- MoxiE Inductor Corporation specifications are subject to change without notice.
- Tolerances unless otherwise specified: .xx ±.25mm
- **PROPRIETARY: Document is property of MoxiE Inductor Corporation & is not to be duplicated without authorization.**

MoxiE
INDUCTOR CORPORATION

(888) 535-5207 WWW.MOXIEINDUCTORS.COM

CURRENT COMPENSATED FRAME CORE DOUBLE CHOKES

MOXIE MOX-FCC-2413 SERIES

PAGE 1/2

REV. A


DWG #: MOXFCC2413

MECHANICAL (mm)

MOXIE PART NUMBER	INDUCTANCE (mH) MINIMUM	RATED CURRENT (A) MAXIMUM	DCR (mΩ) TYPICAL
MOX-FCC-2413-100	10.00	1.60	285
MOX-FCC-2413-150	15.00	1.30	425
MOX-FCC-2413-270	27.00	0.90	765
MOX-FCC-2413-390	39.00	0.80	1050
MOX-FCC-2413-470	47.00	0.70	1250
MOX-FCC-2413-680	68.00	0.60	1965
MOX-FCC-2413-101	100.00	0.45	2920

MOXIE NOTES:

- Current-compensated frame core double choke.
- High inductance with low resistance.
- RoHS Compliant.
- Rated Current: 0.29-2.93A.
- Insulation voltage: 1500VAC,2S(line-line)
- Rated voltage: 250VAC maximum @ 40°C.
- Operating temperature range: -25°C to +85°C.
- Storage temperature range: -40°C to +85°C.
- Packaging: Bulk or Tray.
- MoxiE Inductor Corporation custom designs are subject to United States copyright and or patent protection(s).
- MoxiE Inductor Corporation specifications are subject to change without notice.
- Tolerances unless otherwise specified: .xx ±.25mm
- **PROPRIETARY: Document is property of MoxiE Inductor Corporation & is not to be duplicated without authorization.**

 <p>MoxiE INDUCTOR CORPORATION</p> <p>(888) 535-5207 WWW.MOXIEINDUCTORS.COM</p>		
CURRENT COMPENSATED FRAME CORE DOUBLE CHOKES		
MOXIE MOX-FCC-2413 SERIES		
PAGE 2/2	REV. A	DWG #: MOXFCC2413