

# MOX-SMHC1 SERIES

**MoxiE**<sup>®</sup>  
INDUCTOR CORPORATION

## Surface Mount High Current Unshielded Power Inductors

MoxiE's MOX-SMHC1 series of surface mount high current power inductors are specially engineered for high current, low voltage DC-DC converter applications. The industrial grade rugged design provides current ranges normally only available with larger packages.

### Features:

- Low cost.
- High current & low voltage.
- RoHS compliant.
- MoxiE Inductor corporation custom designs available.

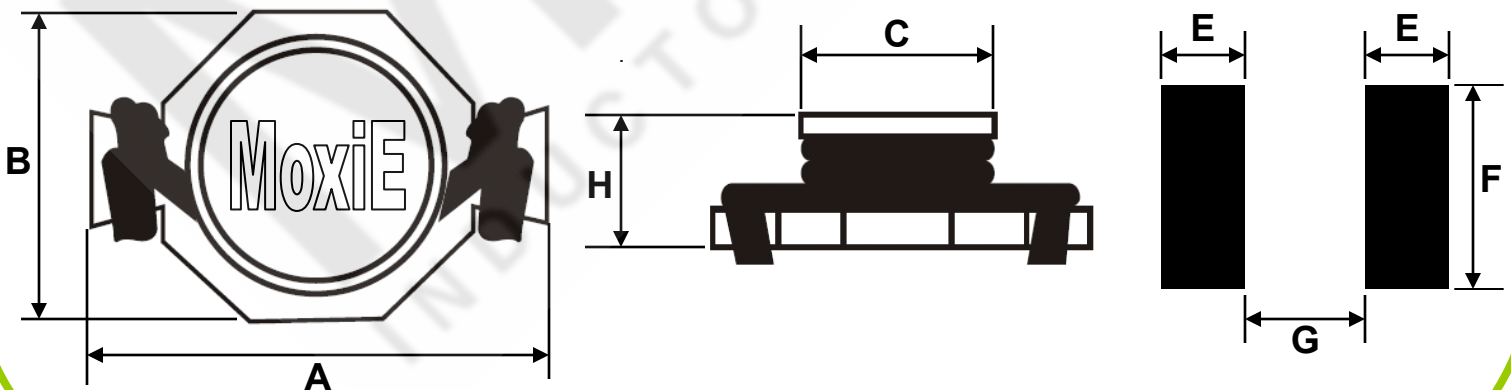


## PART NUMBERS

MOXIE PART NUMBER	A (MAX.)	B (MAX.)	C (MAX.)	H (MAX.)	E (REF.)	F (REF.)	G (REF.)
MOX-SMHC1	8.89	6.10	4.00	5.00	1.90	4.10	5.08



## MECHANICAL DIMENSIONS





## ELECTRICAL SPECIFICATIONS @ 25°C

MoxiE Part Number	Inductance (μH)	OCL (μH ± 20%)	IRMS (Amps)	ISAT (Amps)	DCR (Ω Max.)
MOX-SMHC1-R47M	0.47	0.569	6.3	8.1	0.0097
MOX-SMHC1-1R0M	1.0	1.20	4.7	5.5	0.0177
MOX-SMHC1-1R5M	1.5	1.61	4.4	4.7	0.0200
MOX-SMHC1-2R2M	2.2	2.62	3.4	3.7	0.0363
MOX-SMHC1-3R3M	3.3	3.79	3.2	3.5	0.0428
MOX-SMHC1-4R7M	4.7	5.15	2.5	2.8	0.0544
MOX-SMHC1-6R8M	6.8	6.87	1.9	2.5	0.0897
MOX-SMHC1-100M	10.0	11.00	1.7	2.1	0.1107
MOX-SMHC1-150M	15.0	16.00	1.4	1.8	0.1747
MOX-SMHC1-220M	22.0	23.50	1.2	1.4	0.2541
MOX-SMHC1-330M	33.0	36.00	0.89	1.02	0.3670
MOX-SMHC1-470M	47.0	48.50	0.75	0.89	0.4740
MOX-SMHC1-680M	68.0	73.52	0.59	0.68	0.7320
MOX-SMHC1-101M	100.0	112.67	0.48	0.55	1.11
MOX-SMHC1-151M	150.0	152.40	0.44	0.48	1.61
MOX-SMHC1-221M	220.0	223.10	0.39	0.39	1.96
MOX-SMHC1-331M	330.0	331.90	0.32	0.34	3.10



## PACKAGING

MOXIE PART NUMBER	Packaging	Reel Size	Quantity Per Reel
MOX-SMHC1	Tape & Reel	330 x 16	1000

### MOXIE NOTES:

- Inductance instrument testing : HP4286A/CH1062A LCR meter.
- Inductance test condition: 100KHz @ 1KHz.
- DCR instrument testing: TH2512B or MoxiE equivalent DCR testing equipment.
- Rated current testing: VR7210 & VR113H.
- Rated current definition: Inductance drop by 25% or when temperature rises by 40°C (the lesser of the minimum as the rated current.)
- Operating temperature: -40°C to +85°C.
- Storage temperature: -40°C to +125°C.
- Moxie Inductor Corporation specifications are subject to change without notice.