

MOX-VTIL-5565 SERIES



MoxiE
INDUCTOR CORPORATION

VERTICAL MOUNT TOROID INDUCTORS

Features:

- Low cost.
- Vertical mounting.
- Reinforced L-pin base to prevent lead shearing.
- Low core loss.
- Horizontal mounting available.
- Encapsulation available.
- MoxiE custom designs available.

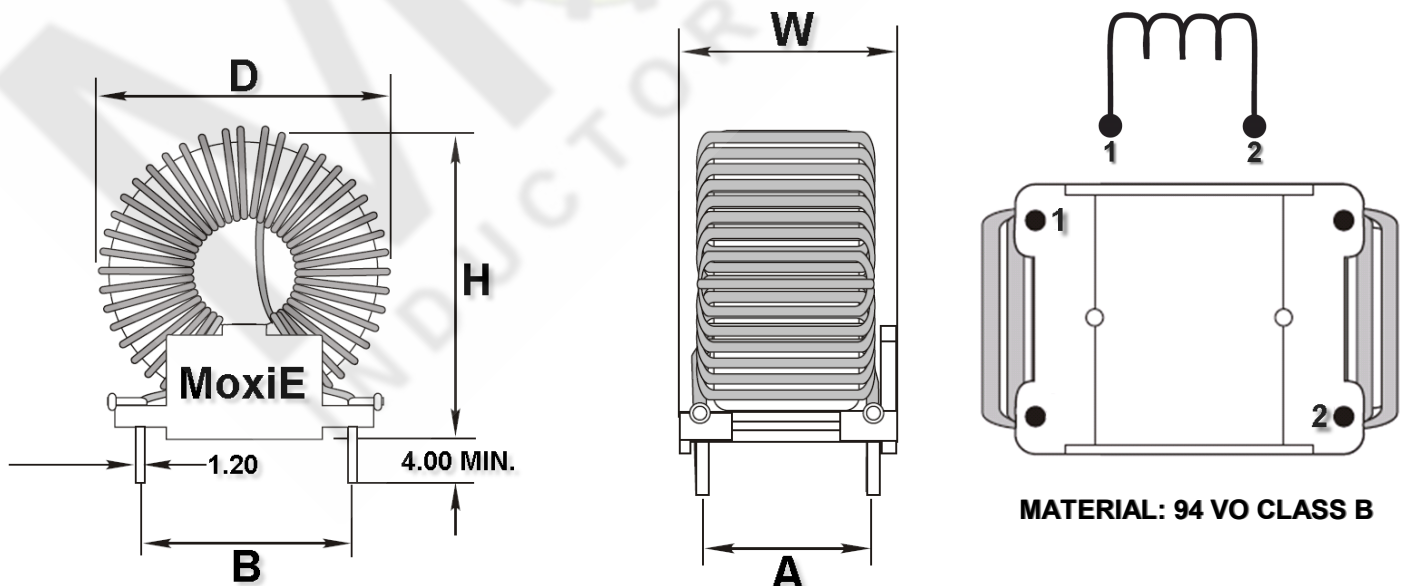


DIMENSIONS (mm)

A	B	D	H	W
17.78 ±0.5	30.48 ±0.5	64.50 MAX.	55.88 MAX.	25.40 ±0.5



MECHANICAL



MOX-VTIL-5565 SERIES

VERTICAL MOUNT TOROID INDUCTORS



ELECTRICAL SPECIFICATIONS

MoxiE Part Number	L @ 0 Amps D.C. (μ H) $\pm 20\%$	Max RDC. (Ω)	Suggested Rated Current (Amps)	0% L Drop (DC Amps)	10% L Drop (DC Amps)	20% L Drop (DC Amps)	30% L Drop (DC Amps)	40% L Drop (DC Amps)	50% L Drop (DC Amps)
MOX-VTIL-5565-1R5M	1.5	.004	9.5	8.6	23.7	39.2	54.9	73.2	96.3
MOX-VTIL-5565-2R2M	2.2	.004	9.5	6.4	17.7	29.4	41.1	54.9	72.2
MOX-VTIL-5565-3R3M	3.3	.005	9.5	5.1	14.1	23.6	32.9	43.9	57.8
MOX-VTIL-5565-5R6M	5.6	.005	9.5	4.2	11.8	19.6	27.5	36.6	48.2
MOX-VTIL-5565-6R8M	6.8	.006	9.5	3.6	10.1	16.8	23.5	31.4	41.2
MOX-VTIL-5565-100M	10	.007	9.5	2.8	7.8	13.1	18.3	24.4	32.1
MOX-VTIL-5565-120M	12	.008	9	2.6	7.1	11.8	16.5	22.0	28.9
MOX-VTIL-5565-150M	15	.008	9	2.3	6.5	9.9	14.9	19.9	26.1
MOX-VTIL-5565-180M	18	.010	9	2.1	5.9	9.8	13.7	18.3	24.0
MOX-VTIL-5565-220M	22	.011	9	1.9	5.5	9.0	12.6	16.8	22.1
MOX-VTIL-5565-270M	27	.012	9	1.7	4.7	7.8	11.0	14.6	19.3
MOX-VTIL-5565-330M	33	.013	9	1.5	4.4	7.3	10.3	13.7	18.0
MOX-VTIL-5565-390M	39	.015	9	1.4	3.9	6.5	9.1	12.2	16.0
MOX-VTIL-5565-470M	47	.016	9	1.3	3.6	5.9	8.2	11.0	14.4
MOX-VTIL-5565-560M	56	.018	9	1.1	3.2	5.3	7.5	9.9	13.1
MOX-VTIL-5565-680M	68	.019	9	.99	3.0	4.9	6.8	9.1	12.0
MOX-VTIL-5565-820M	82	.021	9	.90	2.7	4.5	6.3	8.4	11.1
MOX-VTIL-5565-101M	100	.023	9	.88	2.4	4.1	5.7	7.6	9.9
MOX-VTIL-5565-121M	120	.026	9	.80	2.2	3.6	5.1	6.8	9.3
MOX-VTIL-5565-151M	150	.028	9	.73	2.0	3.3	4.7	6.2	8.2
MOX-VTIL-5565-181M	180	.031	9	.68	1.9	3.1	4.3	5.8	7.6
MOX-VTIL-5565-221M	220	.034	9	.58	1.6	2.6	3.7	5.0	6.5
MOX-VTIL-5565-271M	270	.038	9	.55	1.5	2.5	3.5	4.8	6.2
MOX-VTIL-5565-331M	330	.042	9	.50	1.4	2.3	3.2	4.3	5.7
MOX-VTIL-5565-391M	390	.056	7	.47	1.3	2.1	3.0	4.0	5.3
MOX-VTIL-5565-471M	470	.068	7	.43	1.2	2.0	2.8	3.7	4.8
MOX-VTIL-5565-561M	560	.074	7	.38	1.0	1.7	2.4	3.2	4.3
MOX-VTIL-5565-681M	680	.094	5	.34	.93	1.6	2.2	2.9	3.8
MOX-VTIL-5565-821M	820	.163	3.5	.31	.86	1.4	2.0	2.7	3.5
MOX-VTIL-5565-102M	1000	.190	3.5	.27	.75	1.2	1.7	2.3	3.0
MOX-VTIL-5565-122M	1200	.200	3.5	.25	.68	1.1	1.6	2.1	2.8
MOX-VTIL-5565-152M	1500	.220	3.5	.22	.61	1.0	1.4	1.9	2.5
MOX-VTIL-5565-182M	1800	.242	3.5	.21	.57	.94	1.3	1.8	2.3
MOX-VTIL-5565-222M	2200	.430	2.0	.18	.49	.81	1.1	1.5	2.0
MOX-VTIL-5565-272M	2700	.460	2.0	.16	.45	.76	1.1	1.4	1.9
MOX-VTIL-5565-332M	3300	.550	2.0	.15	.41	.69	.96	1.3	1.7
MOX-VTIL-5565-392M	3900	.570	2.0	.14	.38	.63	.87	1.2	1.5

MOXIE ENGINEERING NOTES:

- Leads for PC mounting are tinned to within 16mm (1/16") of body
- RDC is measured at 20°C.
- Saturation currents shown are for maximum drop of L indicated.
- RoHS compliant.
- MoxiE Inductor Corporation specifications are subject to change without notice.
- MoxiE Inductor Corporation custom designed products are subject to United States copyright and or United States patent protection(s).