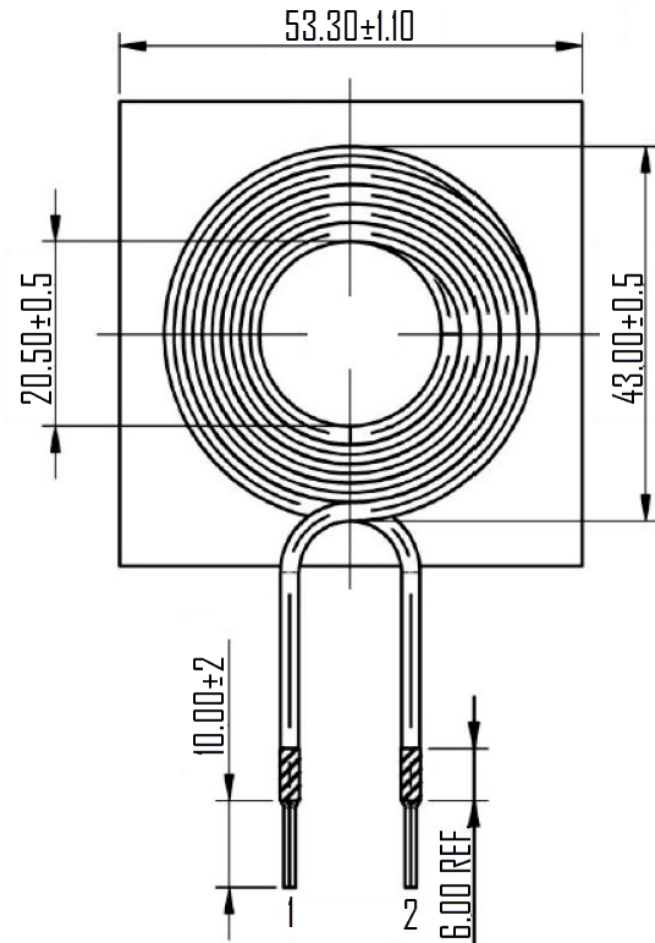
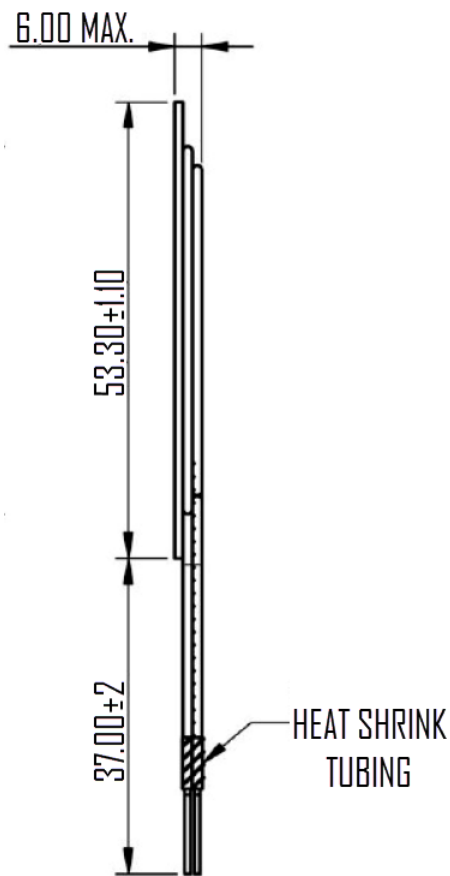
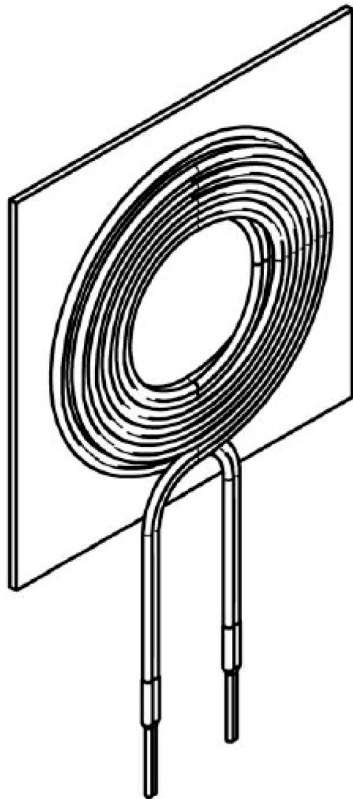


MECHANICAL (mm)



MOXIE NOTES:

- Litz wire windings.
- Ni-Mn ferrite material.
- Input: 5V/2A, Output: 5V/1A.
- Power transfer efficiency: 75%
- Flexible sheet type available.
- Output with multi-projection.
- RoHS Compliant.
- Operating temperature range: -20°C to +105°C.
- Storage temperature range: -20°C to +85°C.
- MoxiE Inductor Corporation specifications are subject to change without notice.

MoxiE
INDUCTOR CORPORATION

(888)535.5207 WWW.MOXIEINDUCTORS.COM

WIRELESS CHARGING COIL

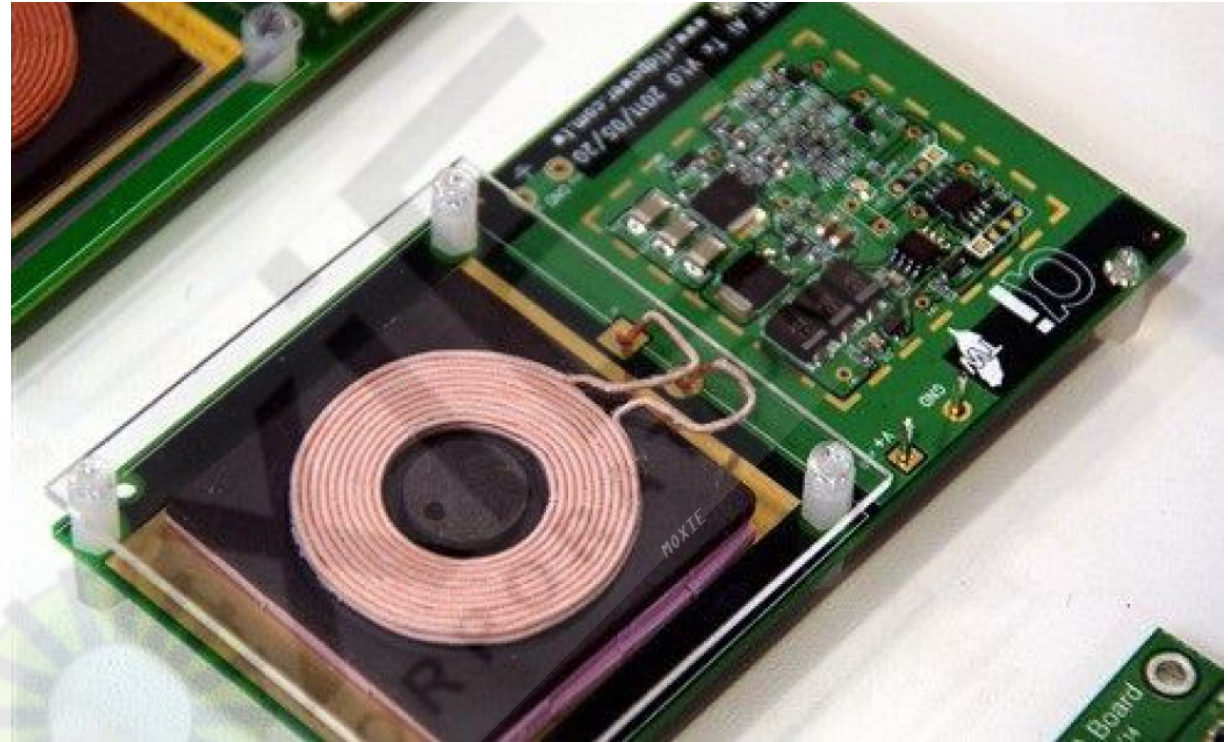
MOXIE MOX-WCH-5306 SERIES

PAGE 1/3

REV. A

DWG NUMBER: MOXWCH5306

PART PHOTOS



MOXIE NOTES:

- Litz wire windings.
- Ni-Mn ferrite material.
- Input: 5V/2A, Output: 5V/1A.
- Power transfer efficiency: 75%
- Flexible sheet type available.
- Output with multi-projection.
- RoHS Compliant.
- Operating temperature range: -20°C to $+105^{\circ}\text{C}$.
- Storage temperature range: -20°C to $+85^{\circ}\text{C}$.
- MoxiE Inductor Corporation specifications are subject to change without notice.

MoxiE
INDUCTOR CORPORATION

(888)535.5207 WWW.MOXIEINDUCTORS.COM

WIRELESS CHARGING COIL

MOXIE MOX-WCH-5306 SERIES

PAGE 2/3

REV. A

DWG NUMBER: MOXWCH5306

ELECTRICAL @ 25°C

MOXIE PART NUMBER	INDUCTANCE (μ H)	Q-FACTOR	CURRENT RATING (RMS)	SATURATION CURRENT (RMS)	DC RESISTANCE	SRF
TEST CONDITION	100KHz/1V	100KHz/1V	$\Delta T=40K$	100KHz/1V	20 \pm 15°C	-
MOX-WCH-5306-2455	24.00 \pm 10%	160 \pm 10%	5.50A TYPICAL	22.00 A	72m Ω \pm 20%	3.00MHz
MOX-WCH-5306-6310	6.30 \pm 10%	72 \pm 10%	10.80 TYPICAL	37.00 A	19m Ω \pm 20%	6.40MHz
MOX-WCH-5306-2458	24.00 \pm 10%	165 \pm 10%	5.80 TYPICAL	28.00 A	72m Ω \pm 20%	2.90MHz
MOX-WCH-5306-6312	6.30 \pm 10%	72 \pm 10%	11.20 TYPICAL	41.00 A	19m Ω \pm 20%	5.70MHz
MOX-WCH-5306-2457	24.00 \pm 10%	163 \pm 10%	5.80 TYPICAL	32.00 A	72m Ω \pm 20%	2.80MHz
MOX-WCH-5306-6311	6.30 \pm 10%	75 \pm 10%	11.00 TYPICAL	41.00 A	19m Ω \pm 20%	5.70MHz

MOXIE NOTES:

- Litz wire windings.
- Ni-Mn ferrite material.
- Input: 5V/2A, Output: 5V/1A.
- Power transfer efficiency: 75%
- Flexible sheet type available.
- Output with multi-projection.
- RoHS Compliant.
- Operating temperature range: -20°C to +105°C.
- Storage temperature range: -20°C to +85°C.
- MoxiE Inductor Corporation specifications are subject to change without notice.

MoxiE
INDUCTOR CORPORATION

(888)535.5207 WWW.MOXIEINDUCTORS.COM

WIRELESS CHARGING COIL

MOXIE MOX-WCH-5306 SERIES

PAGE 3/3

REV. A

DWG NUMBER: MOXWCH5306