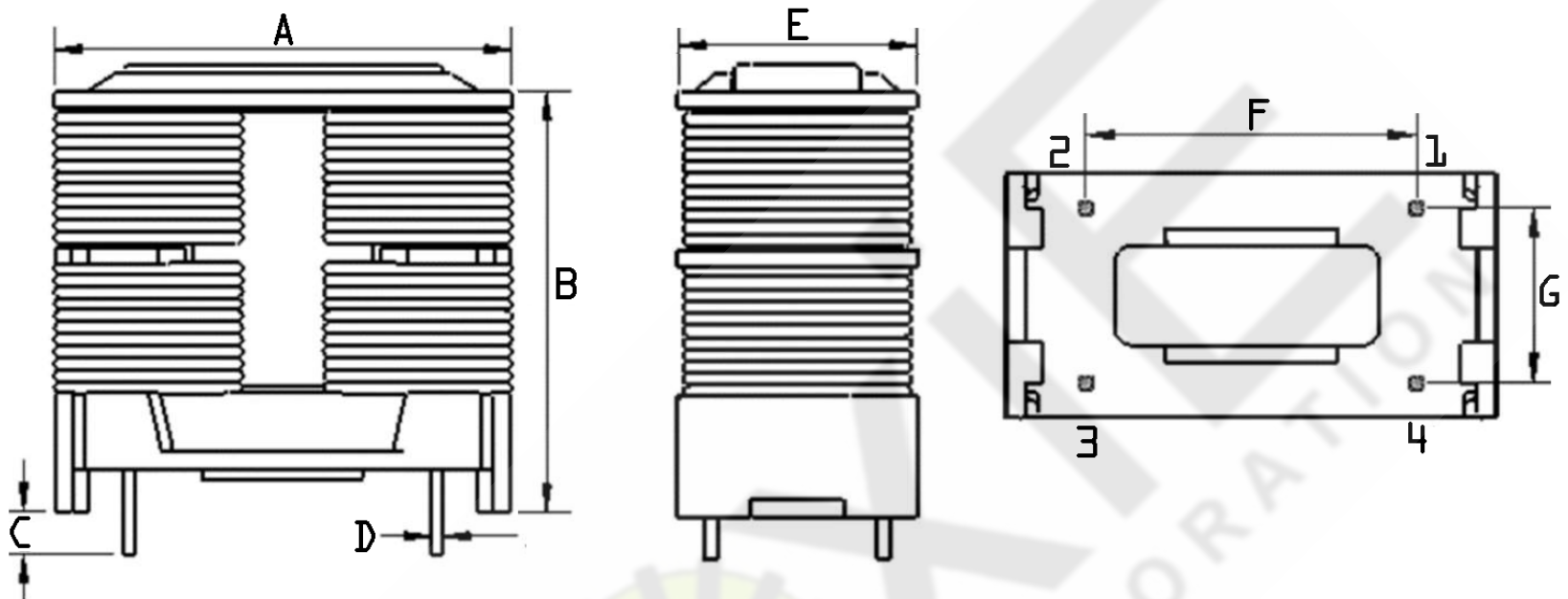



MECHANICAL (mm)



A	B	C	D	E	F	G
29.00 MAX.	27.00 MAX.	4.00±1.00	0.70±0.10 (SQ)	15.50 MAX.	18.75±0.50	10.00±0.50

**MOXIE NOTES:**

- Vertical mount current-compensated frame core double choke.
- High inductance with low resistance.
- RoHS Compliant.
- Rated Current: 0.70-2.30A.
- Insulation voltage: 1500VAC, 2S(line-line)
- Rated voltage: 250VAC maximum @ 40°C.
- Operating temperature range: -25°C to +85°C.
- Storage temperature range: -40°C to +85°C.
- Packaging: Bulk or Tray.
- MoxiE Inductor Corporation custom designs are subject to United States copyright and or patent protection(s).
- MoxiE Inductor Corporation specifications are subject to change without notice.
- Tolerances unless otherwise specified: .xx ±.25mm
- **PROPRIETARY: Document is property of MoxiE Inductor Corporation & is not to be duplicated without authorization.**



**MoxiE**  
INDUCTOR CORPORATION

(888) 535-5207    WWW.MOXIEINDUCTORS.COM

CURRENT COMPENSATED FRAME CORE CHOKE

**MOXIE MOX-FCC-2915V SERIES**


PAGE 1/2	REV. A	DWG #: MOXFCC2915V
----------	--------	--------------------

MECHANICAL (mm)

MOXIE PART NUMBER	INDUCTANCE (mH) MINIMUM	RATED CURRENT (A) MAXIMUM	DCR (mΩ) TYPICAL
MOX-FCC-2915V-100	10.00	2.35	185
MOX-FCC-2915V-150	15.00	1.95	275
MOX-FCC-2915V-270	27.00	1.45	435
MOX-FCC-2915V-390	39.00	1.25	693
MOX-FCC-2915V-470	47.00	1.15	802
MOX-FCC-2915V-680	68.00	0.95	1050
MOX-FCC-2915V-101	100.00	0.75	1805

**MOXIE NOTES:**

- Vertical mount current-compensated frame core double choke.
- High inductance with low resistance.
- RoHS Compliant.
- Rated Current: 0.70-2.30A.
- Insulation voltage: 1500VAC,2S(line-line)
- Rated voltage: 250VAC maximum @ 40°C.
- Operating temperature range: -25°C to +85°C.
- Storage temperature range: -40°C to +85°C.
- Packaging: Bulk or Tray.
- MoxiE Inductor Corporation custom designs are subject to United States copyright and or patent protection(s).
- MoxiE Inductor Corporation specifications are subject to change without notice.
- Tolerances unless otherwise specified: .xx ±.25mm
- **PROPRIETARY: Document is property of MoxiE Inductor Corporation & is not to be duplicated without authorization.**

 <p>INDUCTOR CORPORATION</p> <p>(888)535-5207    WWW.MOXIEINDUCTORS.COM</p>		
CURRENT COMPENSATED FRAME CORE CHOKE		
<b>MOXIE MOX-FCC-2915V SERIES</b>		
PAGE 2/2	REV. A	DWG #: MOXFCC2915V